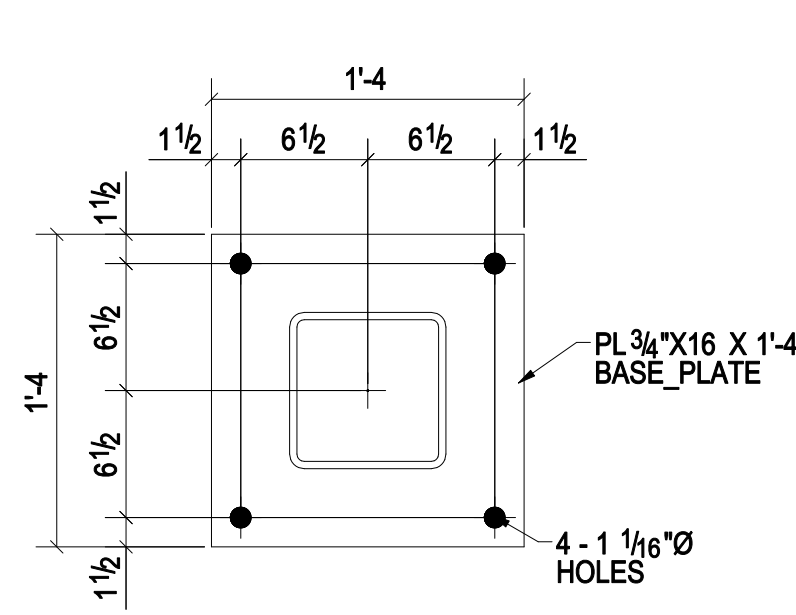
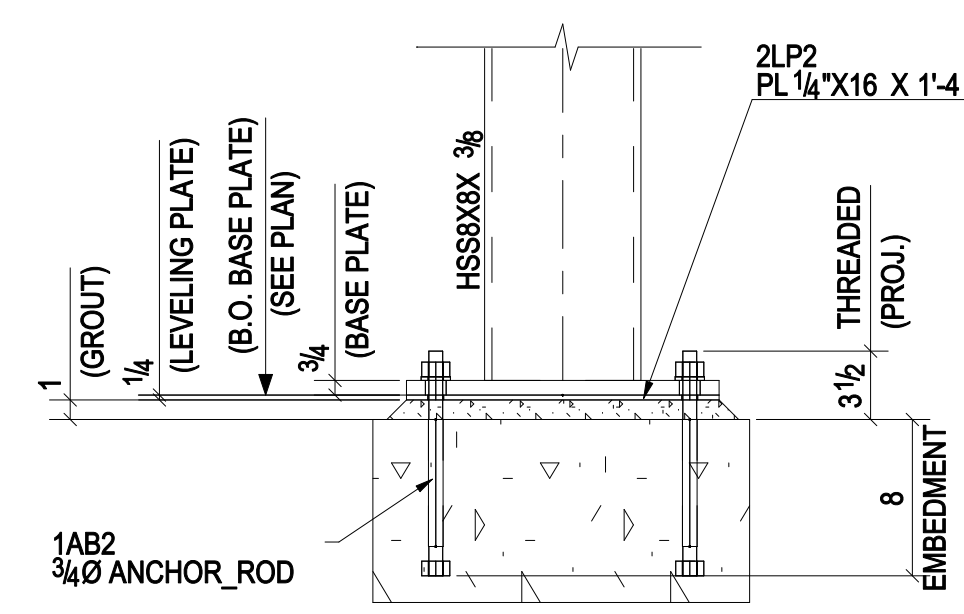
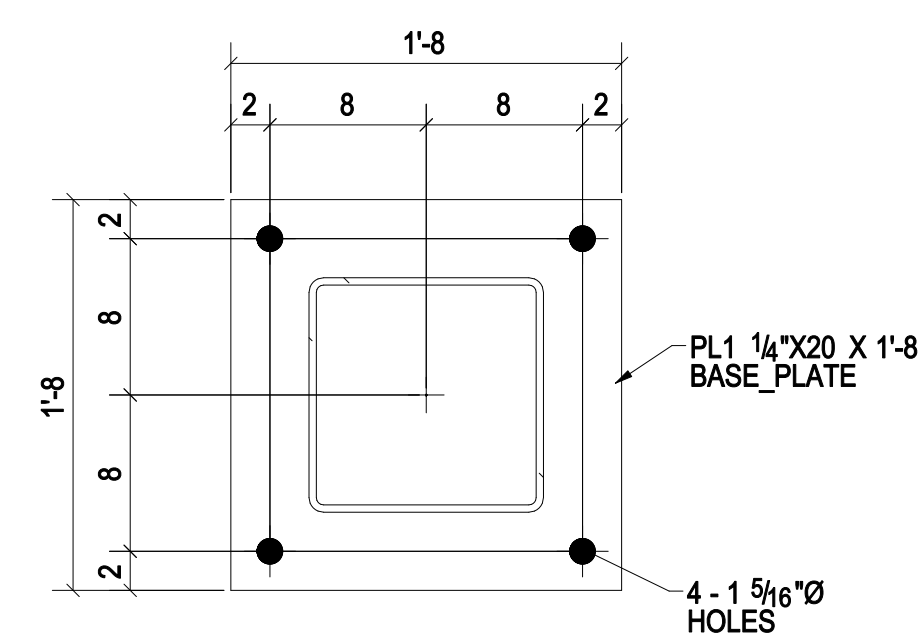
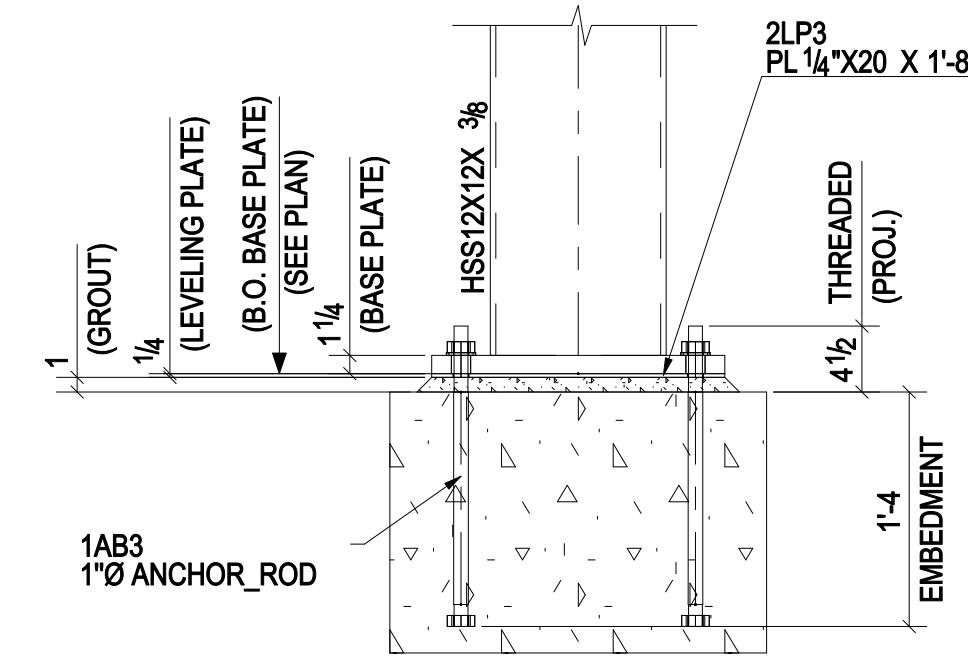


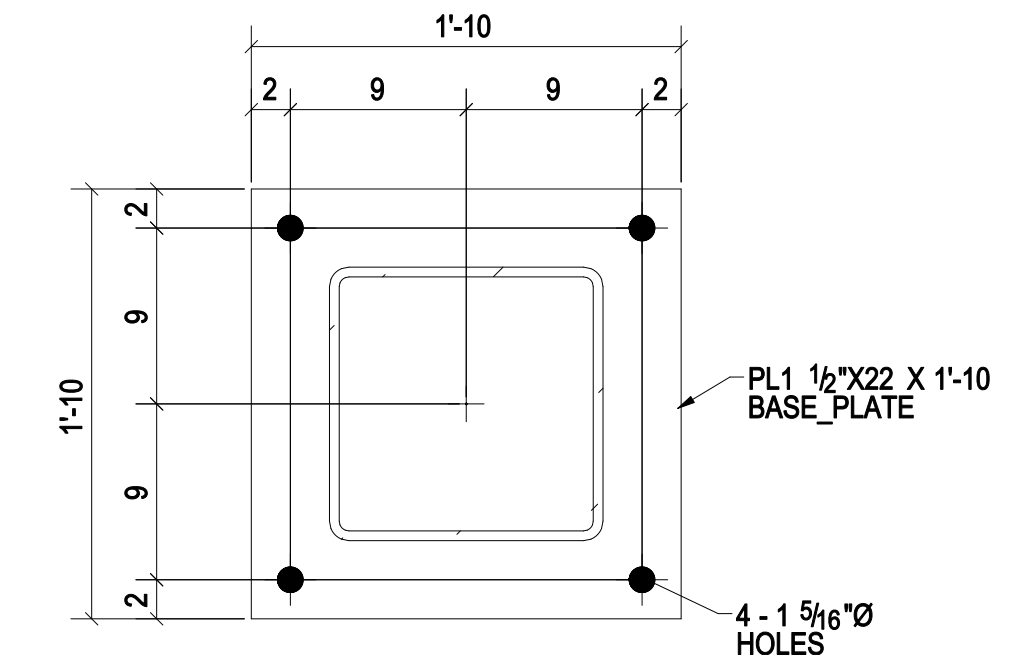
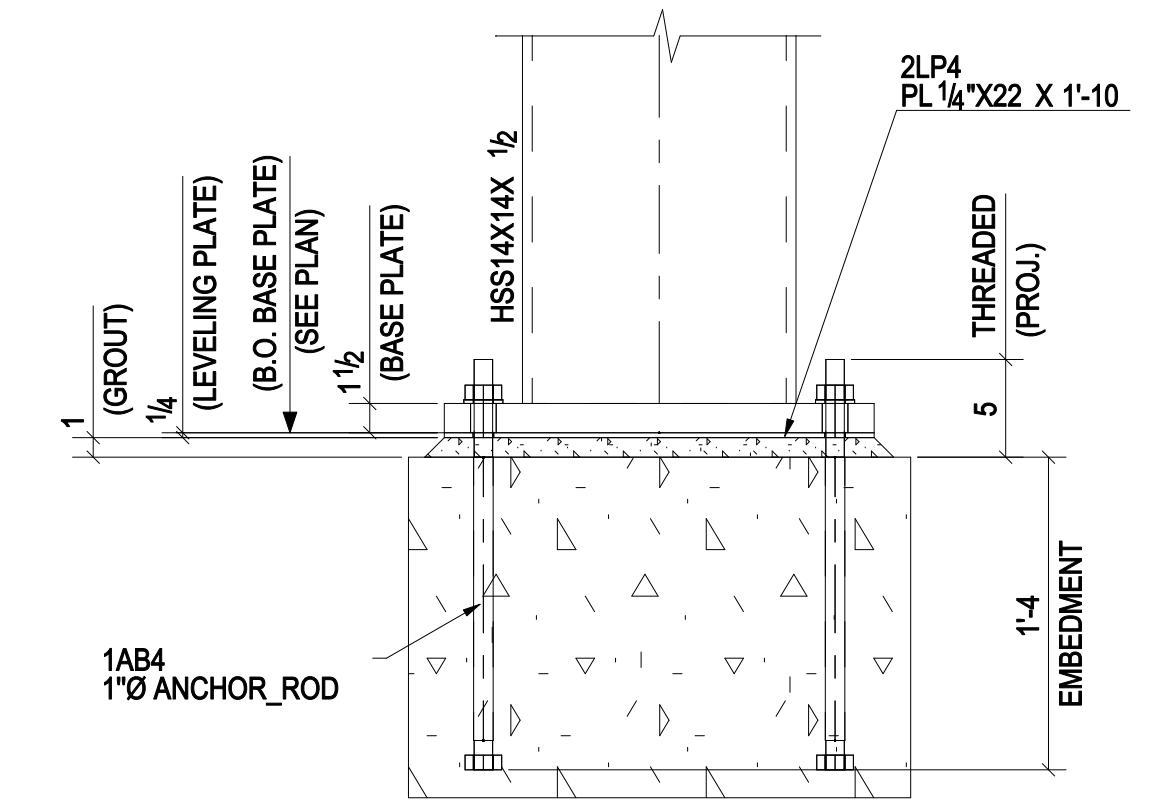
**DETAIL-A**  
(6 LOCATIONS)



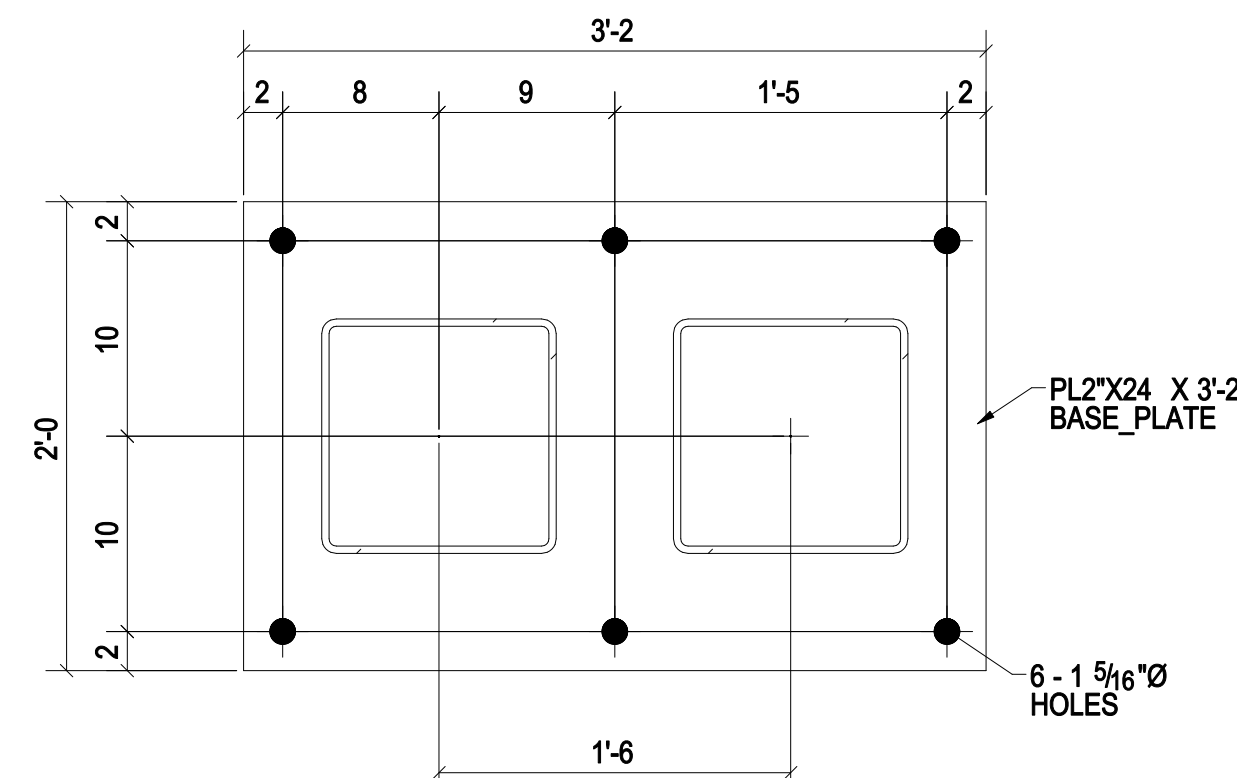
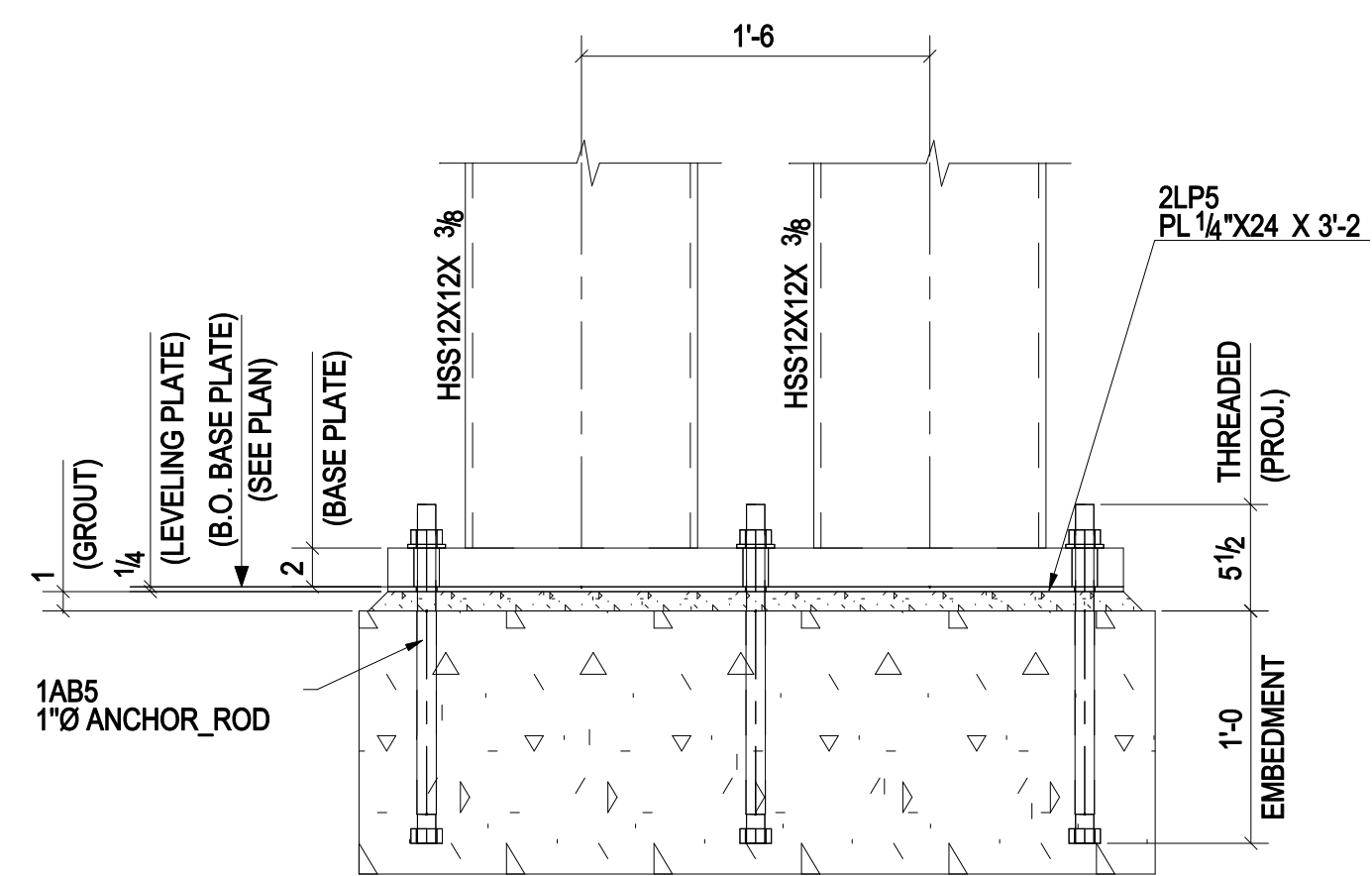
**DETAIL-B**  
(10 LOCATIONS)



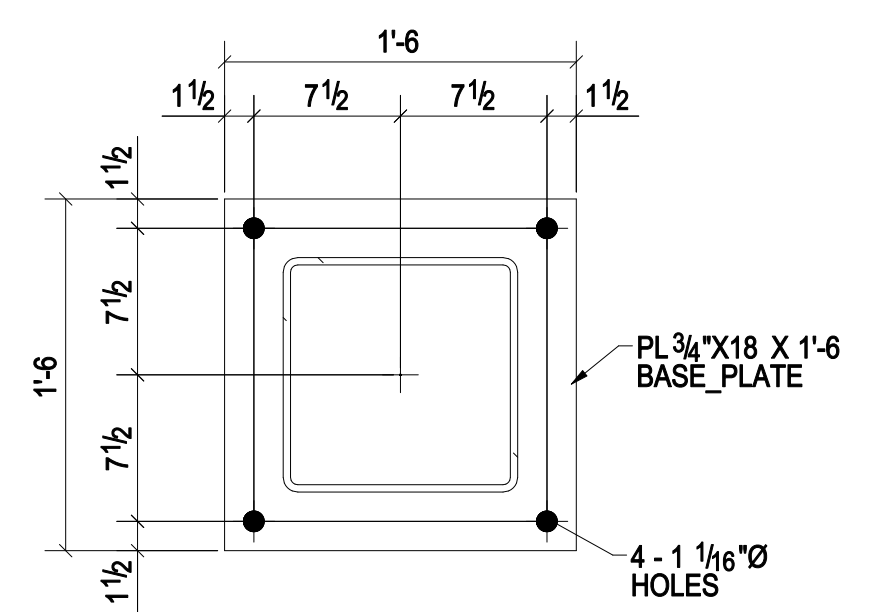
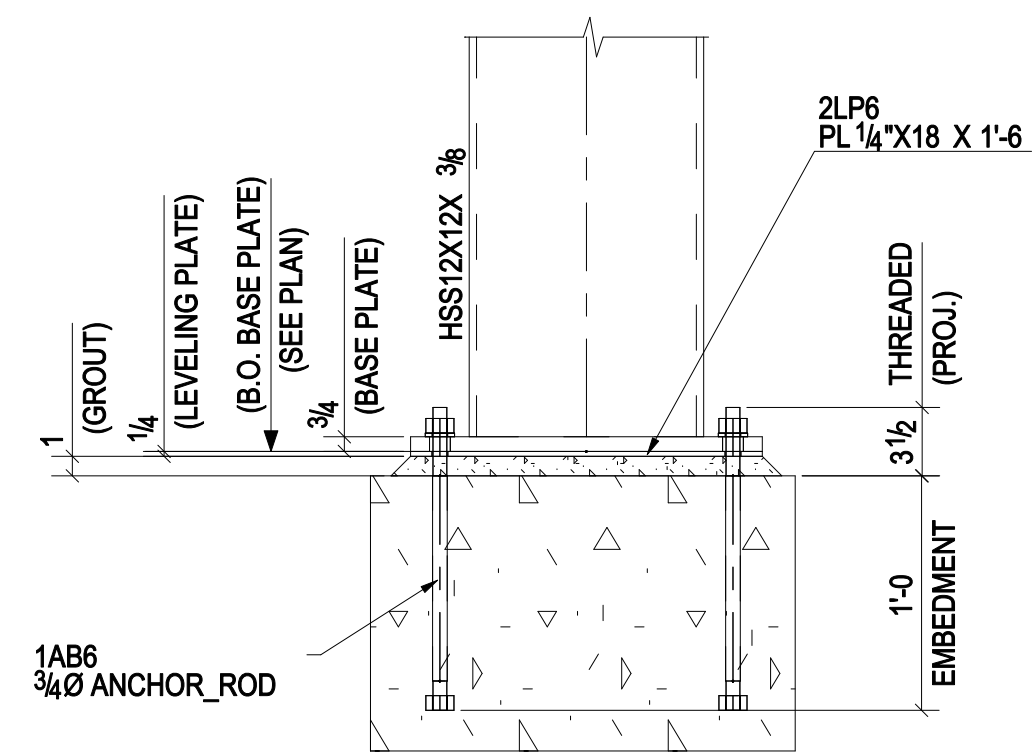
**DETAIL-C**  
(4 LOCATIONS)



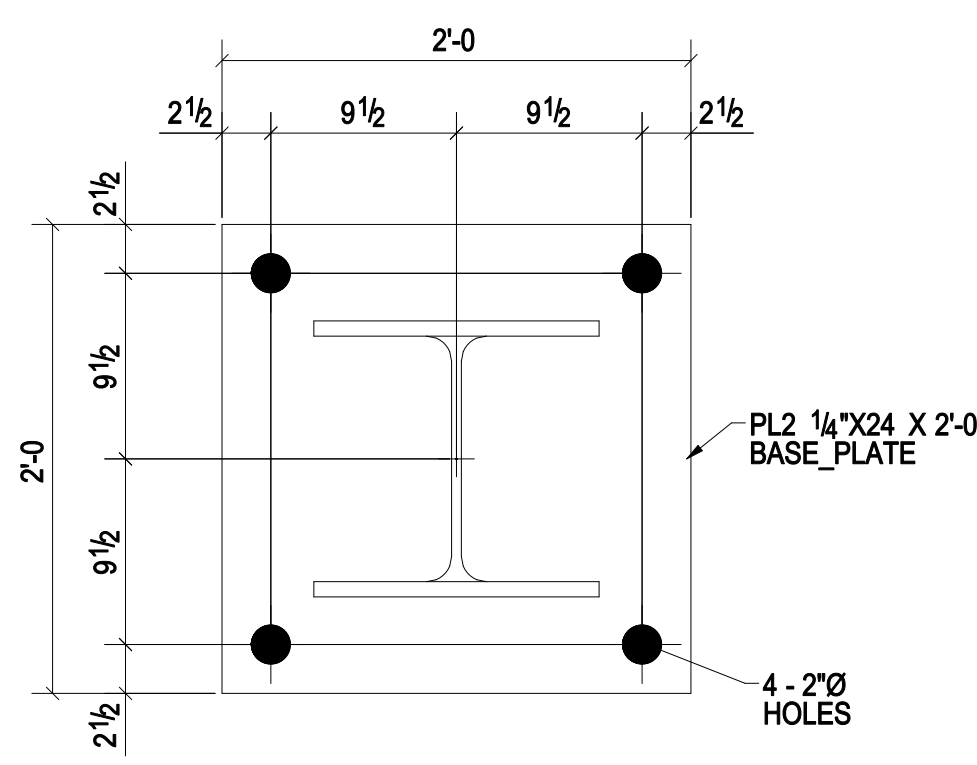
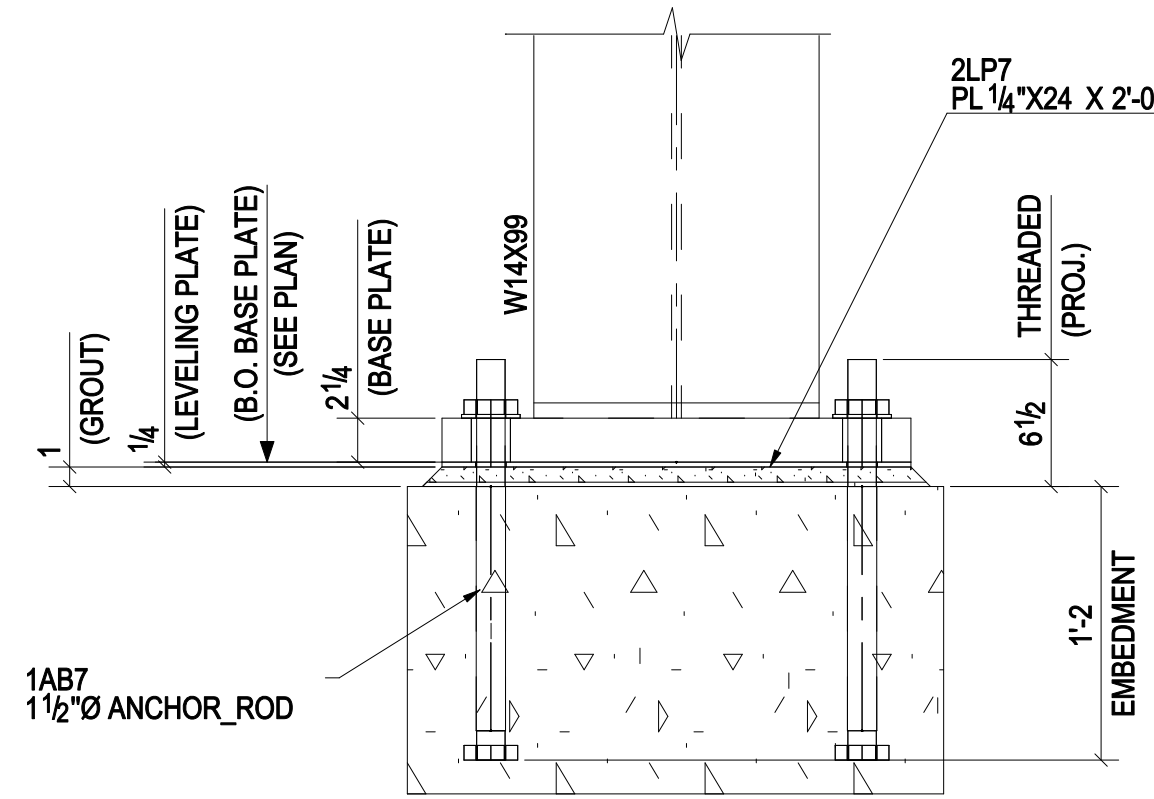
**DETAIL-D**  
(2 LOCATIONS)




**DETAIL-E**  
(4 LOCATIONS)



**DETAIL-F**  
(43 LOCATIONS)



**DETAIL-G**  
(24 LOCATIONS)

04/18/14 FOR FIELD						
PRINT RECORD						
DATE	APP.	SHOP	FIELD	DIST.	COORD.	F.C. OFFICE
SHOP DRAWING DISCLAIMER						
ALL INFORMATION PROVIDED ON THESE DRAWINGS ARE PREPARED IN ACCORDANCE TO THE CONTRACT DOCUMENTS AND THE SPECIFICATIONS. ALL DIMENSIONS SHOWN ARE TO FACE UNLESS OTHERWISE SPECIFIED. THE INFORMATION AVAILABLE TO US, WE MUST HAVE THESE DIMENSIONS ANSWERED BY THE GENERAL CONTRACTOR, ARCHITECT, ENGINEER, BEFORE WE CAN START FABRICATING ANY MATERIAL. PLEASE RESPOND WITH THIS INFORMATION BY MARKING UP OUR SHOP DRAWINGS.						
MATERIAL:	HOLE SIZE:	BOLT GRADE:	MINIMUM WELD:	ELECTRODE:		
A36 UNO	13/16" UNO	A325-N UNO	3/16"	E-70XX		
						
ARCH:	JOB NAME & LOCATION:					
ENGR:						
CONTR:						
REF:	JOB: 14-105					
DRAWN BY: RN	04/18/14	CHECKED BY: RKB	04/18/14	SHEET: <b>AB3</b>		
SECTION & DETAILS						
MODIFIED DATE: 04/18/14 LAST PLOT DATE: 04/18/14 CAD FILE NAME: 1						