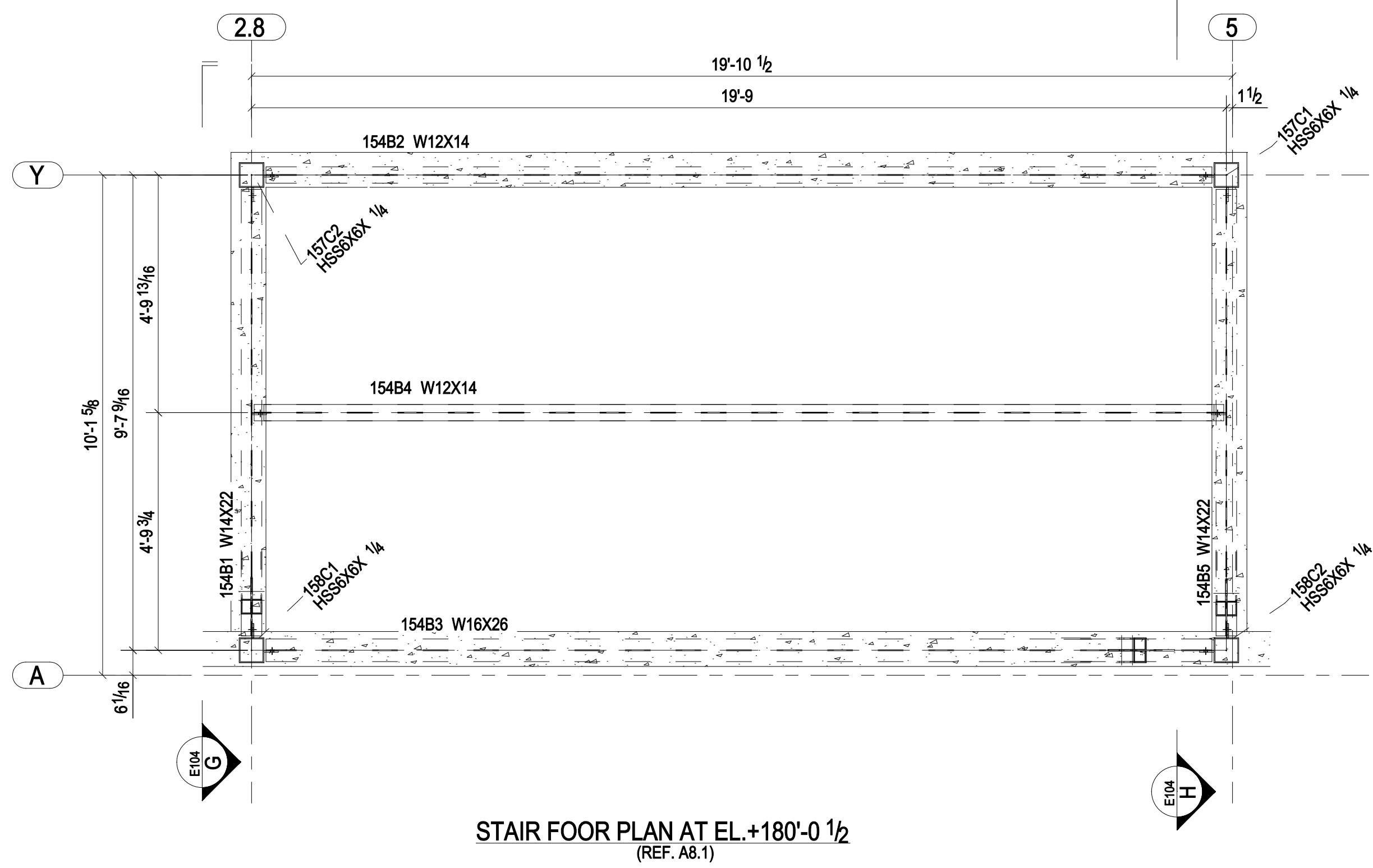
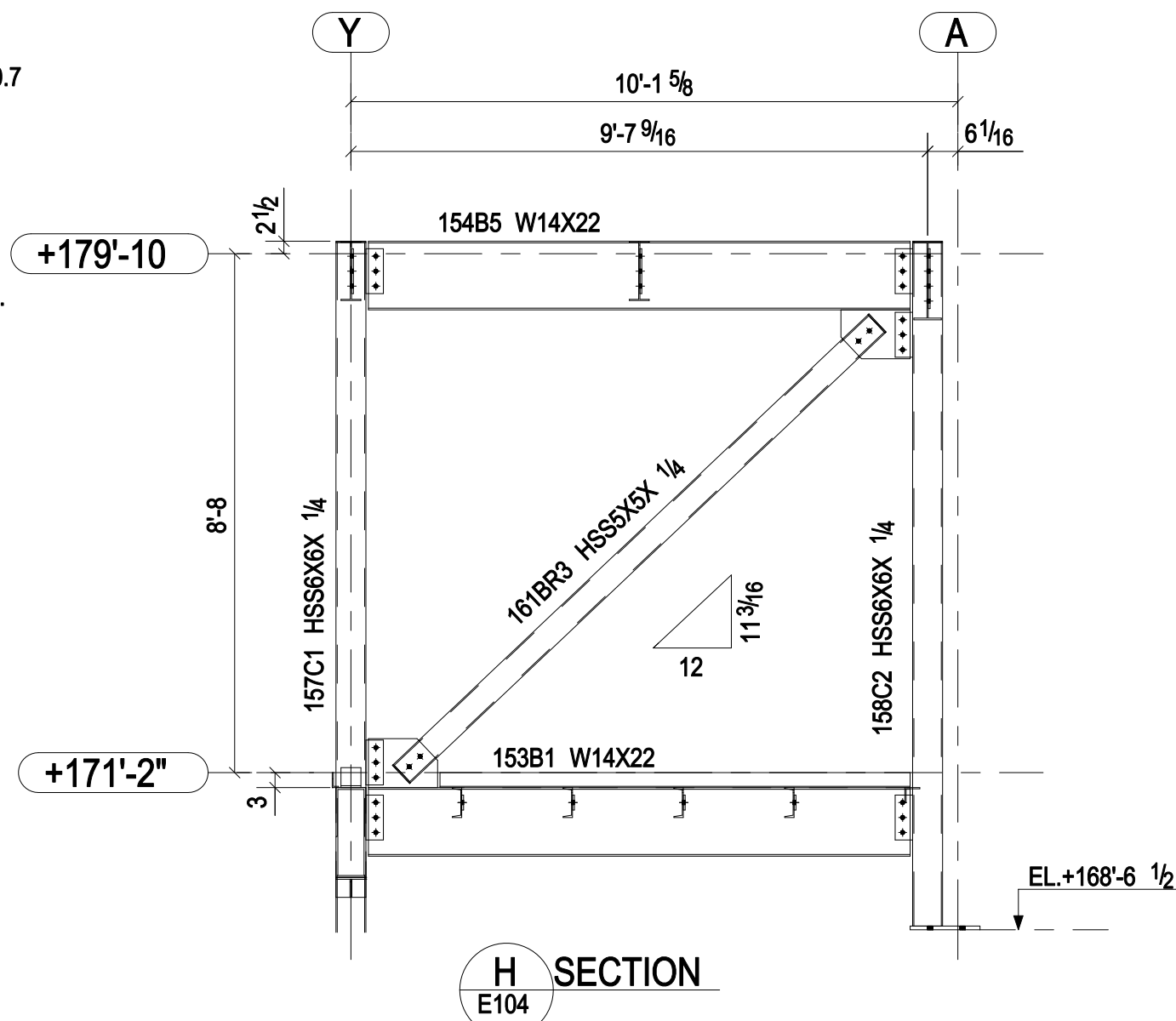
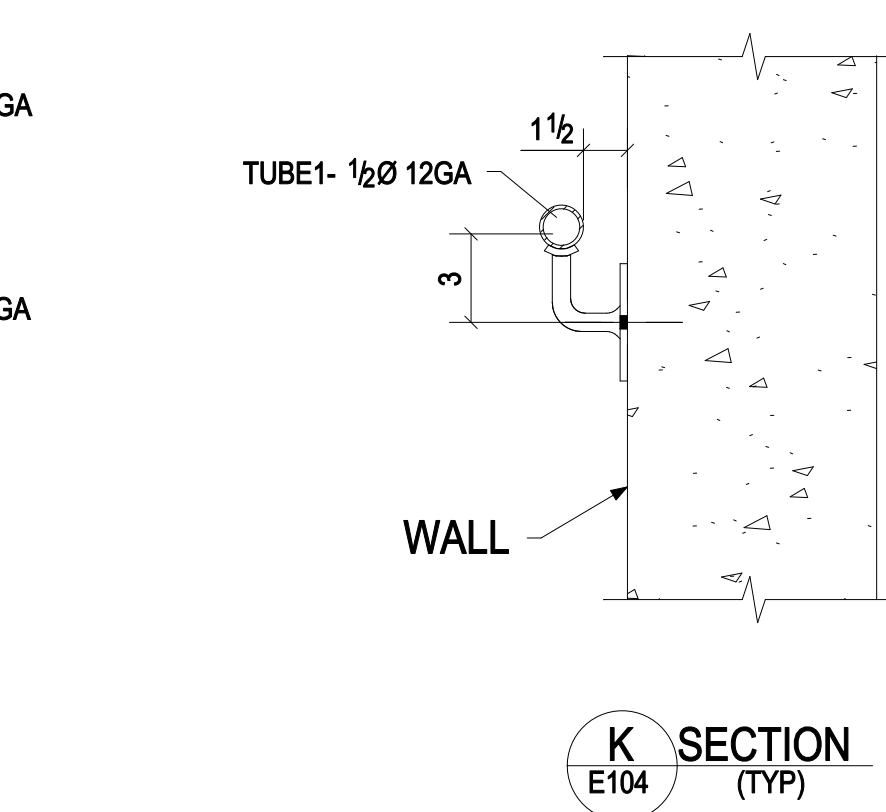
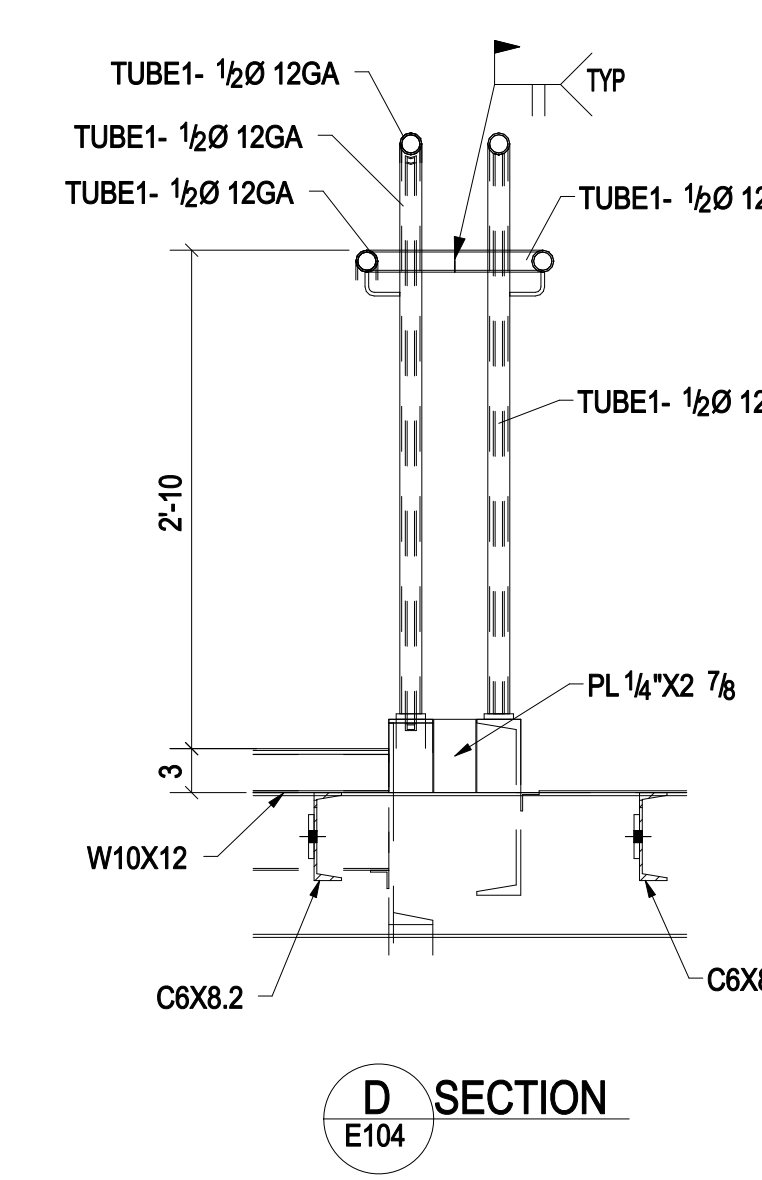
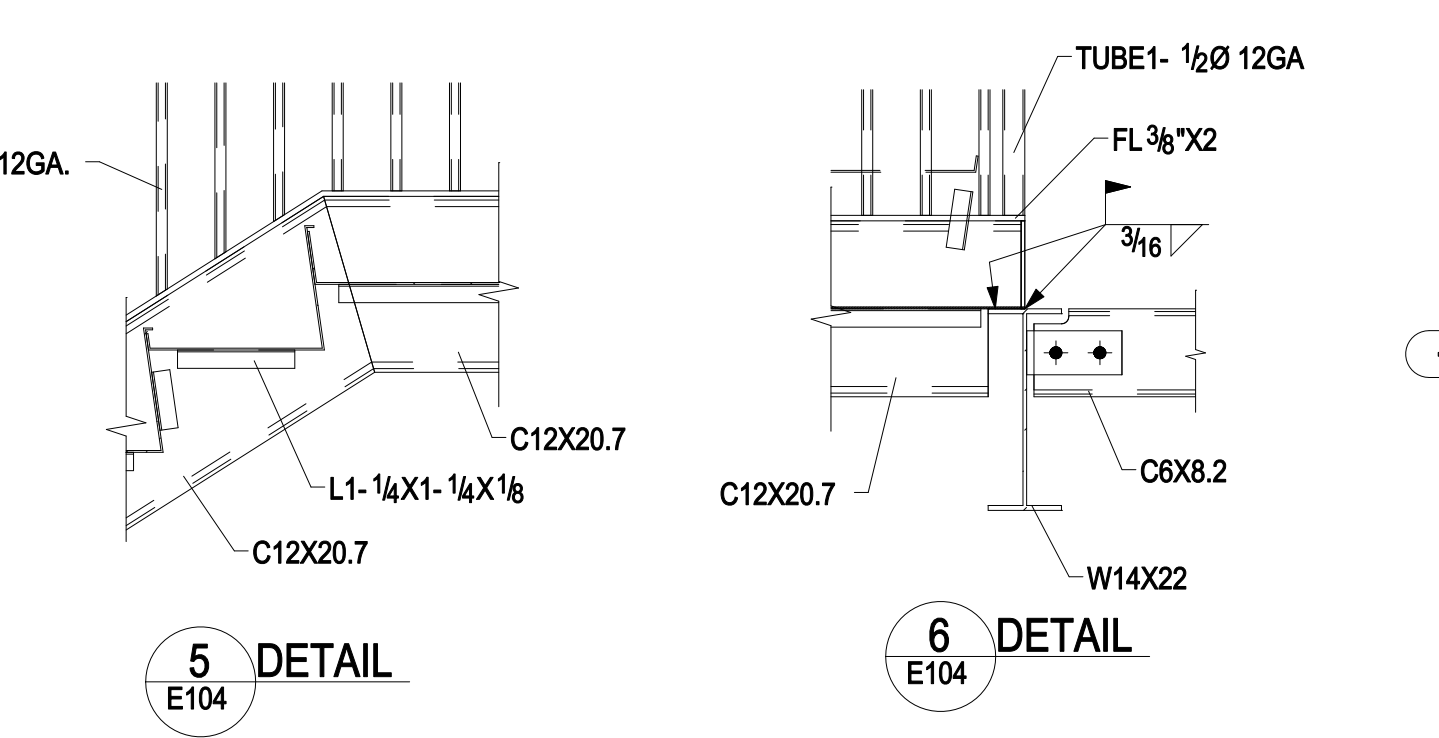
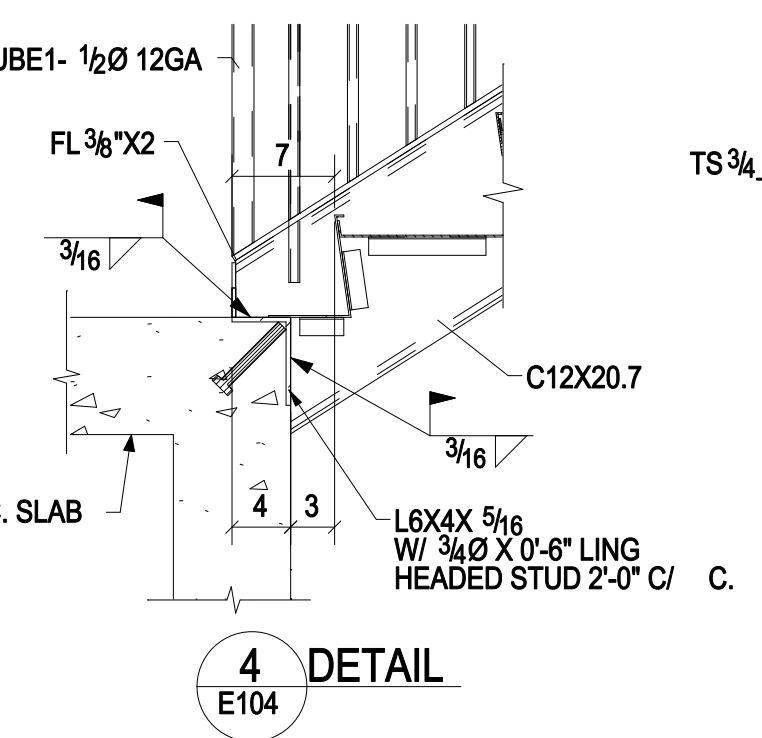
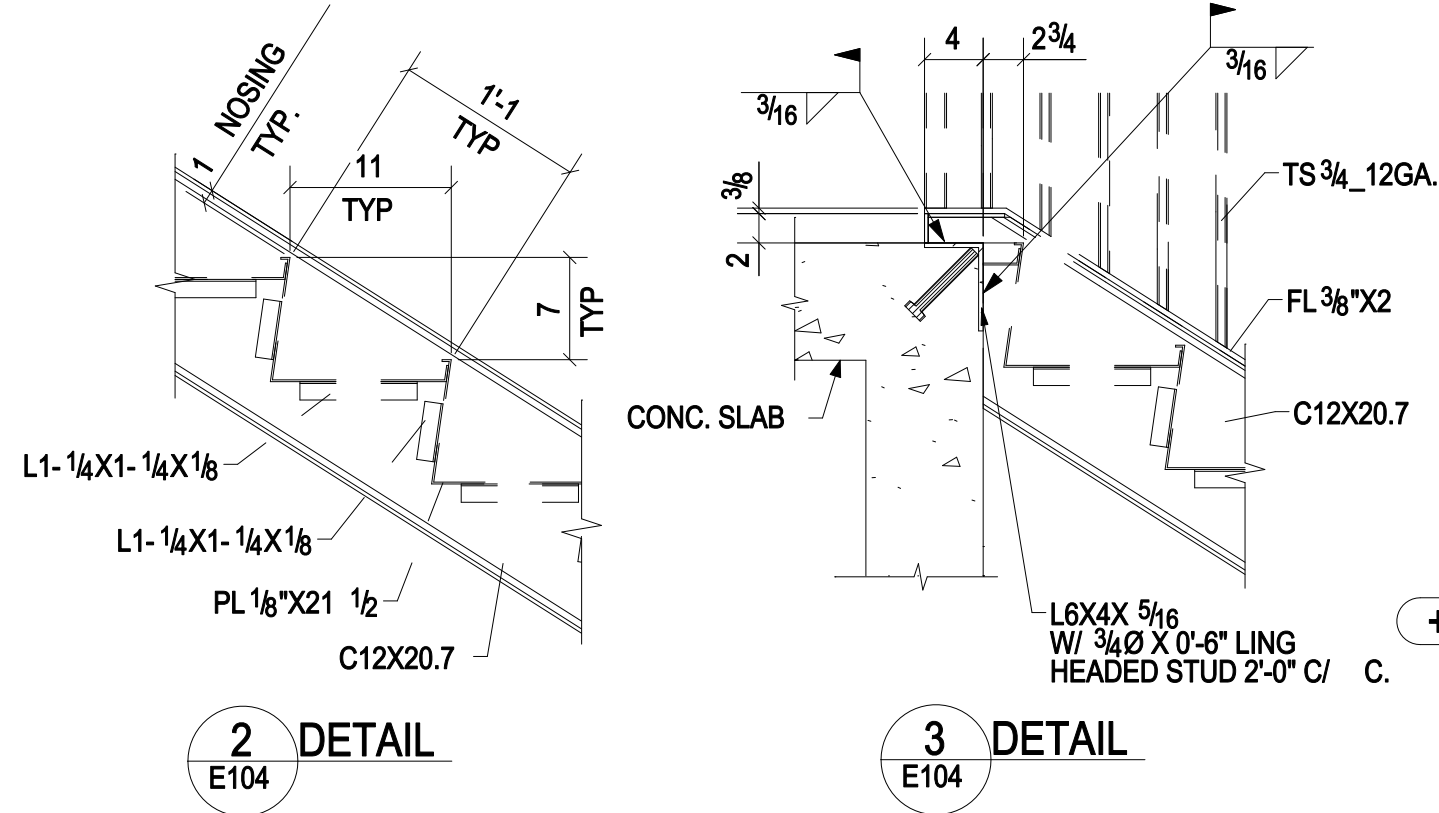
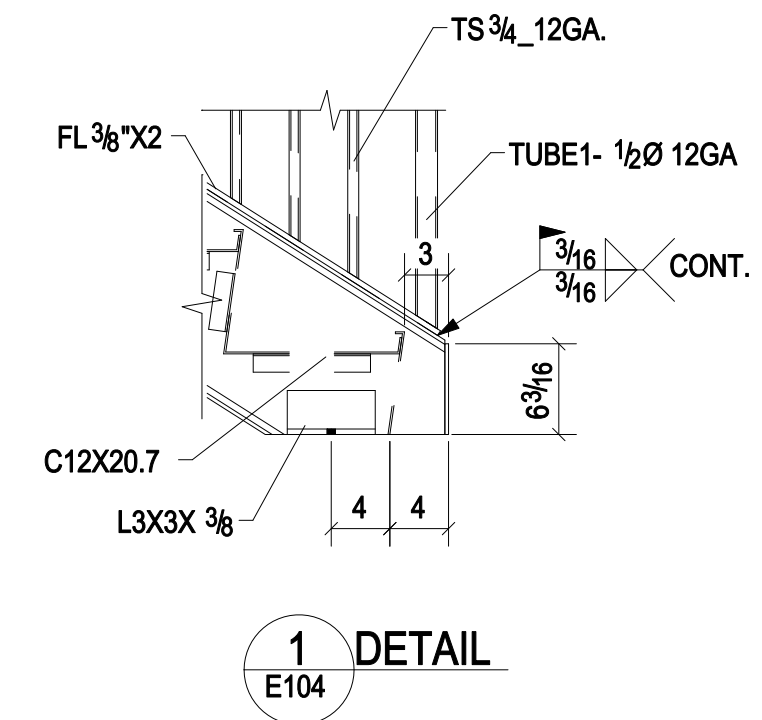
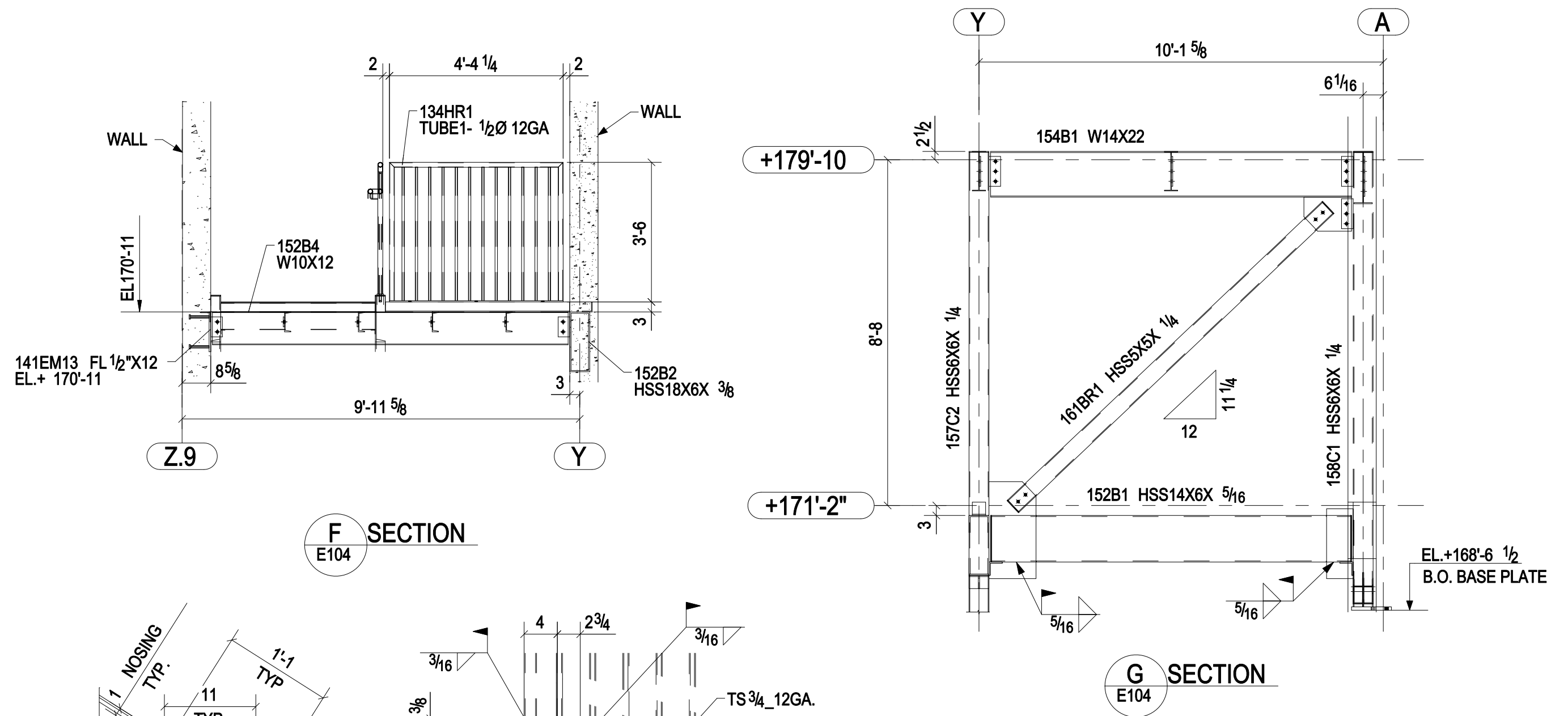
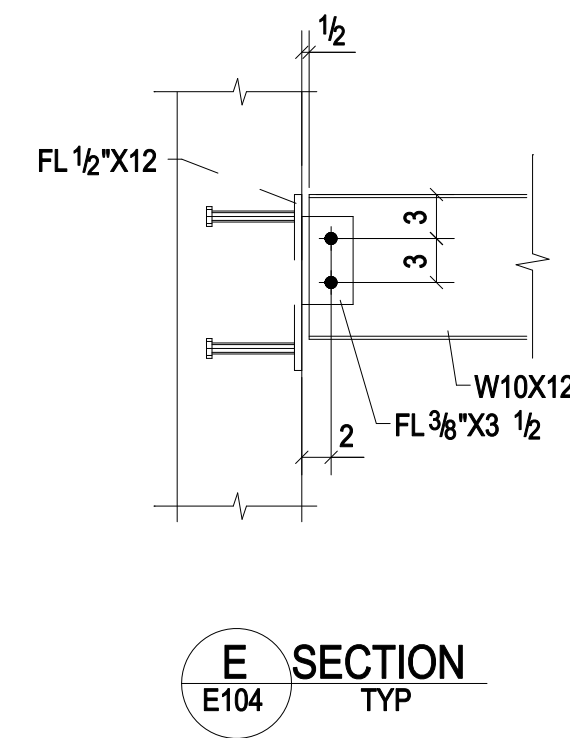
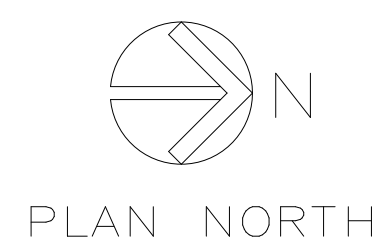


STAIR PLAN AT EL.+171'-2
(REF. AB.1)



STAIR FOOT PLAN AT EL.+180'-0 1/2
(REF. AB.1)



JOB #600

SCALE: NA	APPROVED BY:	DRAWN BY: SS
DATE: 04/06/2013		REVISED: FOR FIELD USE
		DRAWING NUMBER
		E104