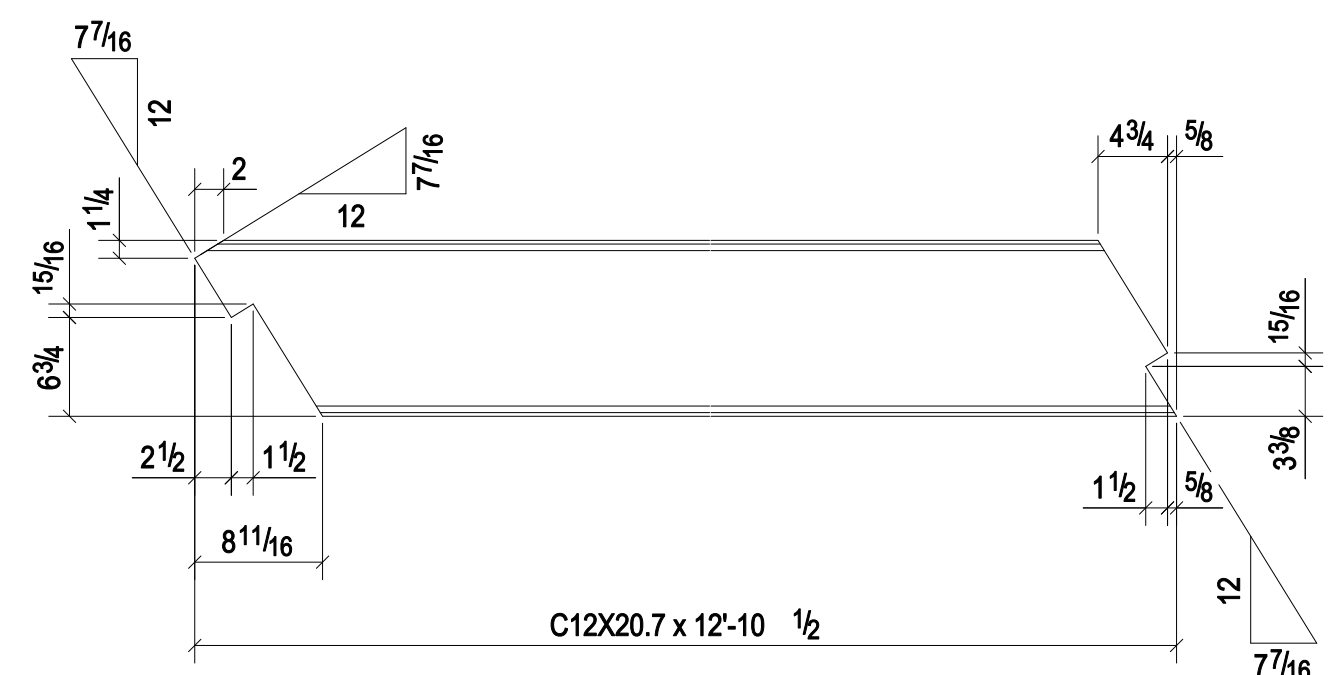
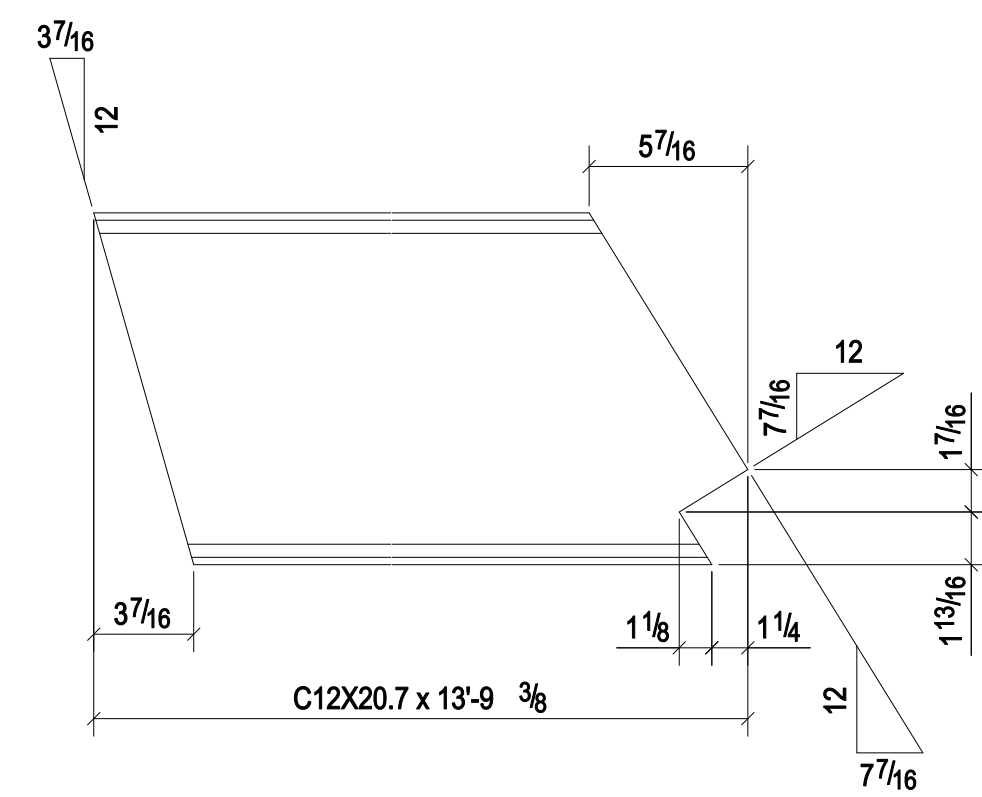


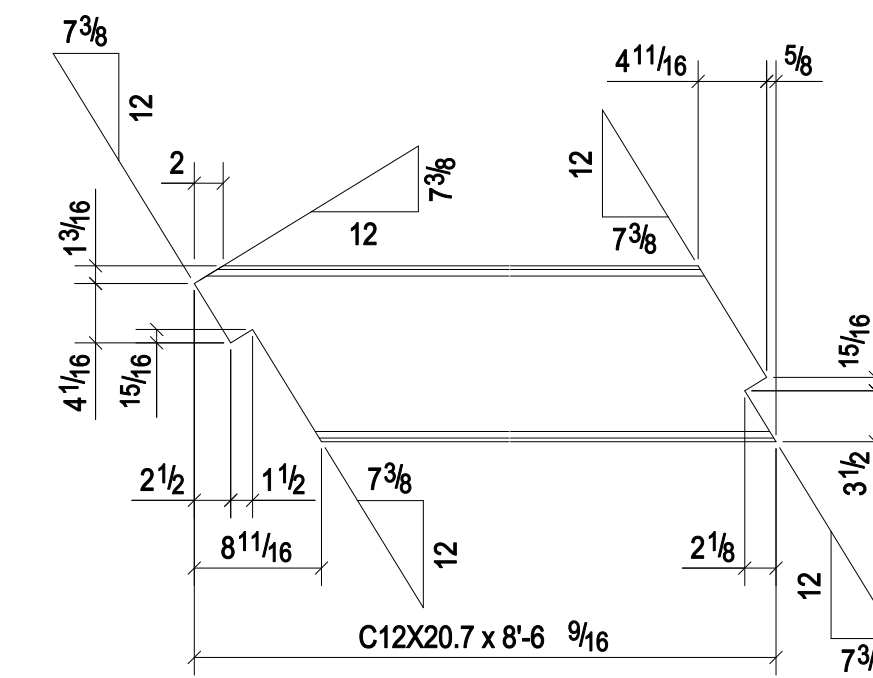
**ONE - STRINGER - c52**  
(GR.-A36)



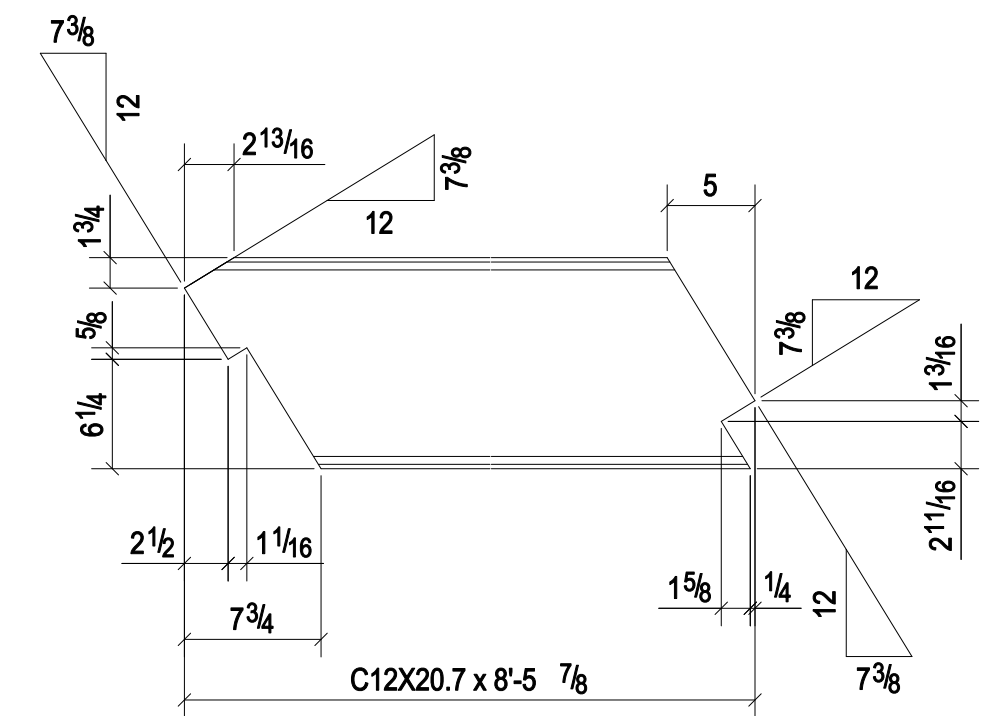
**ONE - STRINGER - c53**  
(GR.-A36)



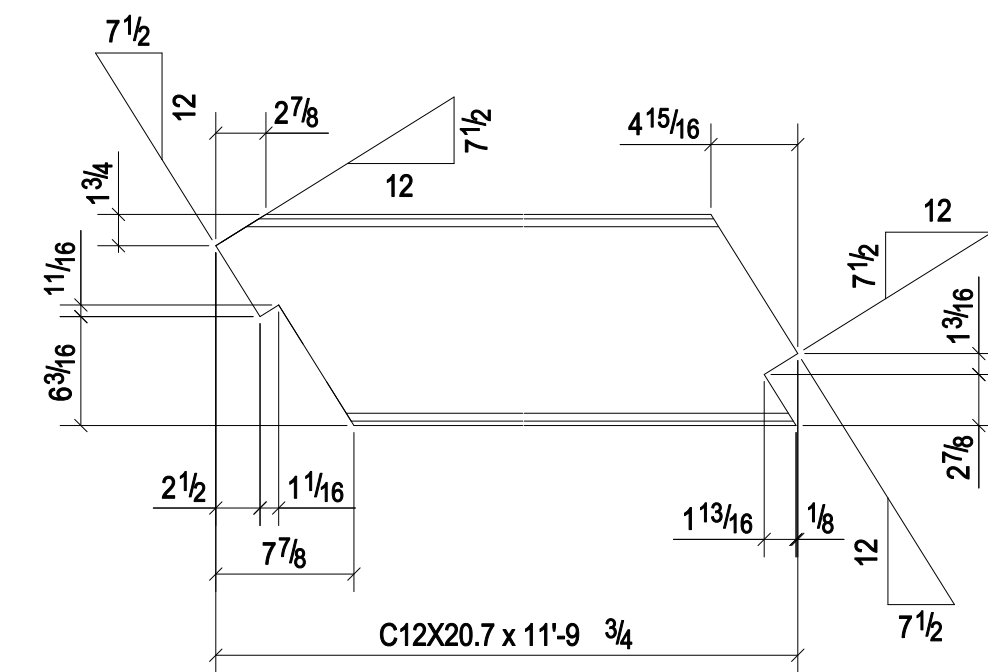
**ONE - STRINGER - c26**  
(GR.-A36)



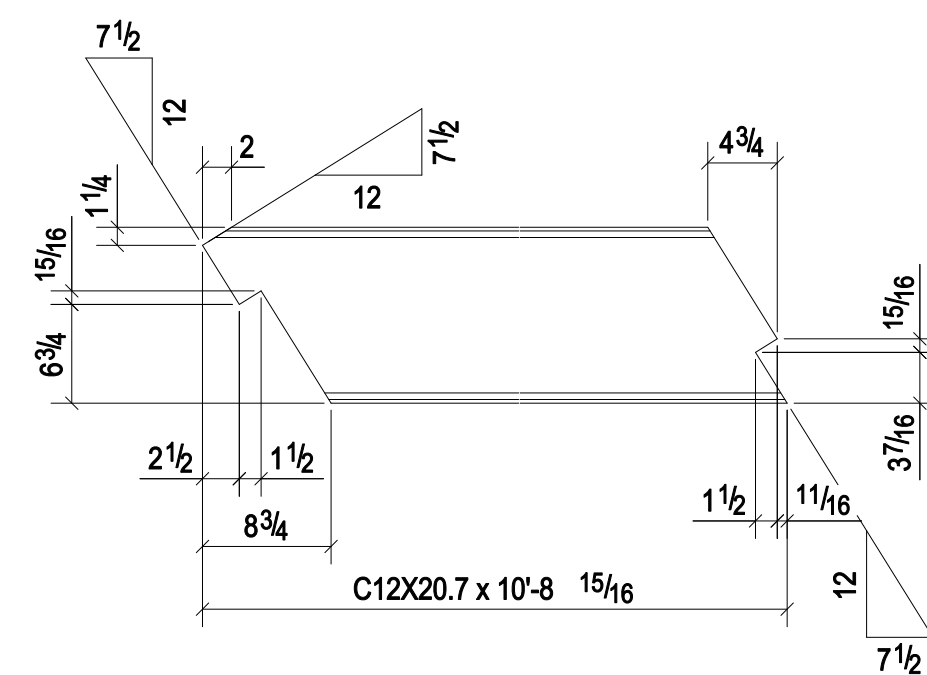
**4 - STRINGERS - c28**  
(GR.-A36)



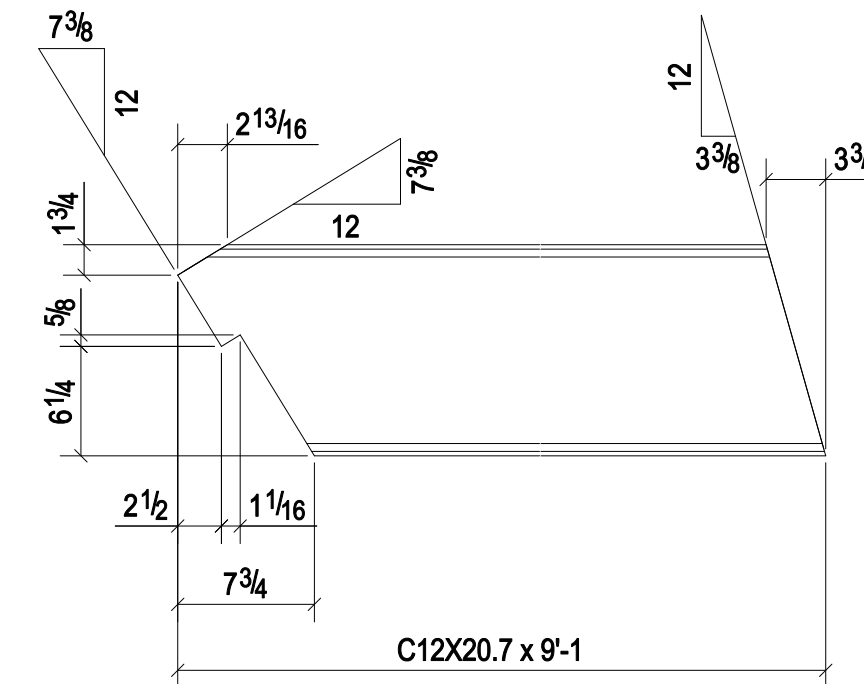
**3 - STRINGERS - c29**  
(GR.-A36)



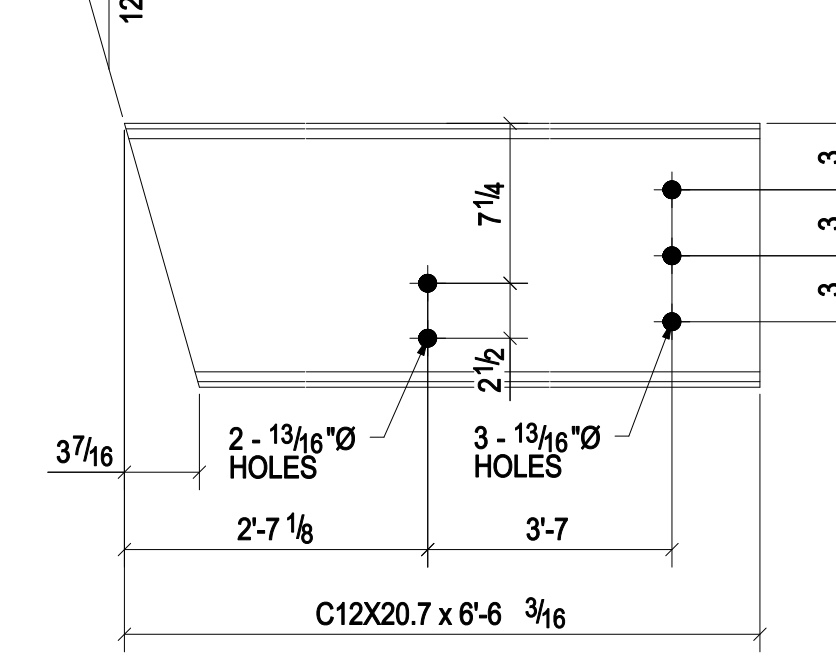
**ONE - STRINGER - c30**  
(GR.-A36)



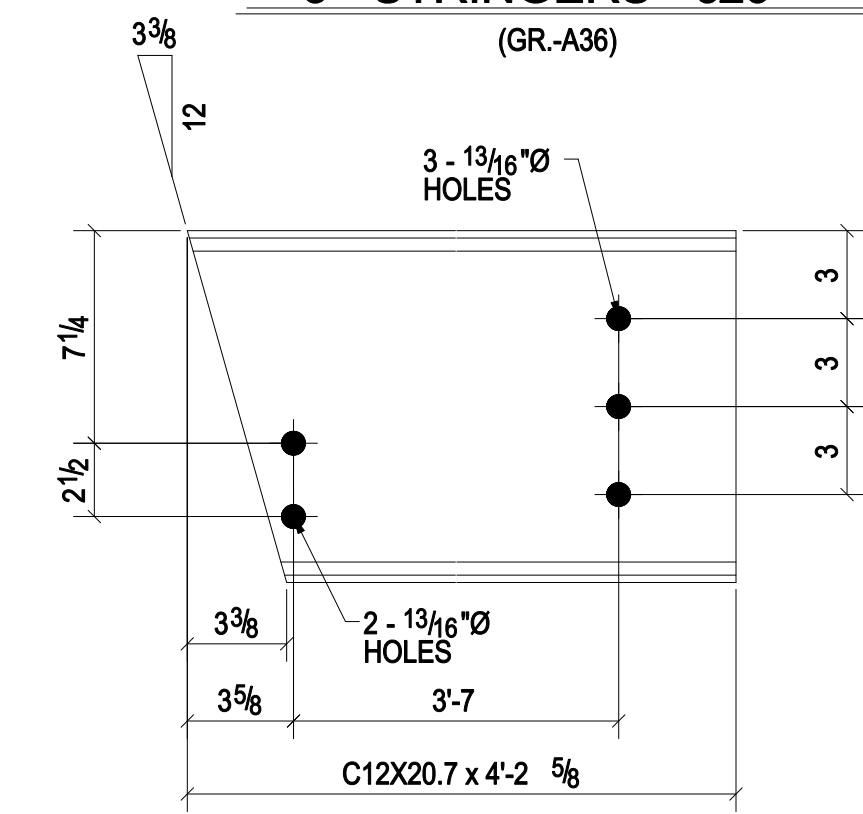
**ONE - STRINGER - c32**  
(GR.-A36)



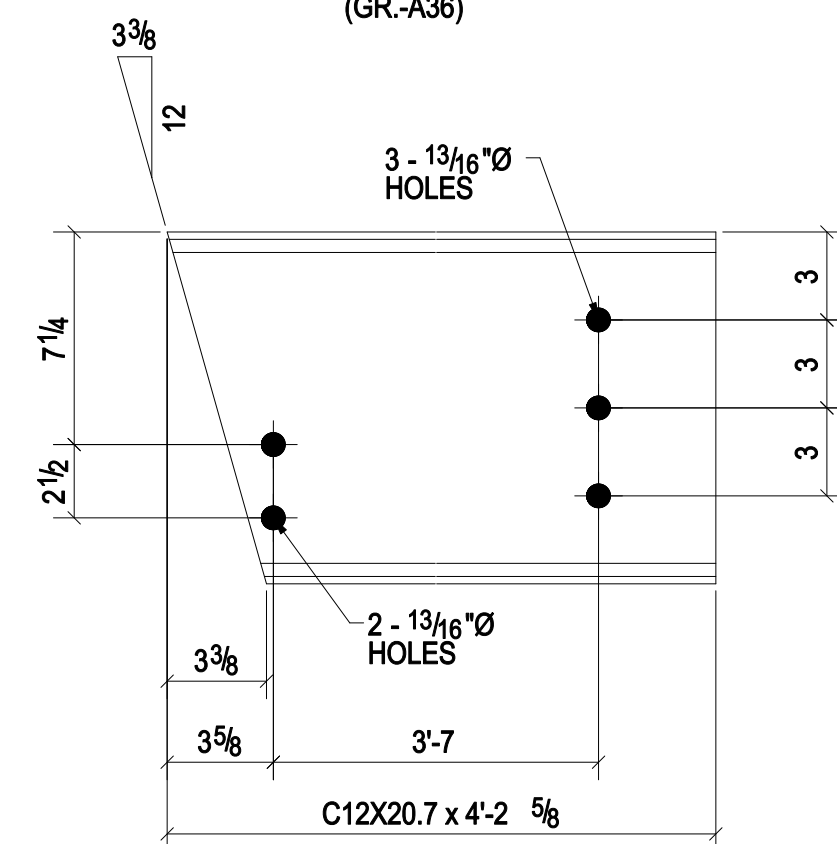
**ONE - STRINGER - c45**  
(GR.-A36)



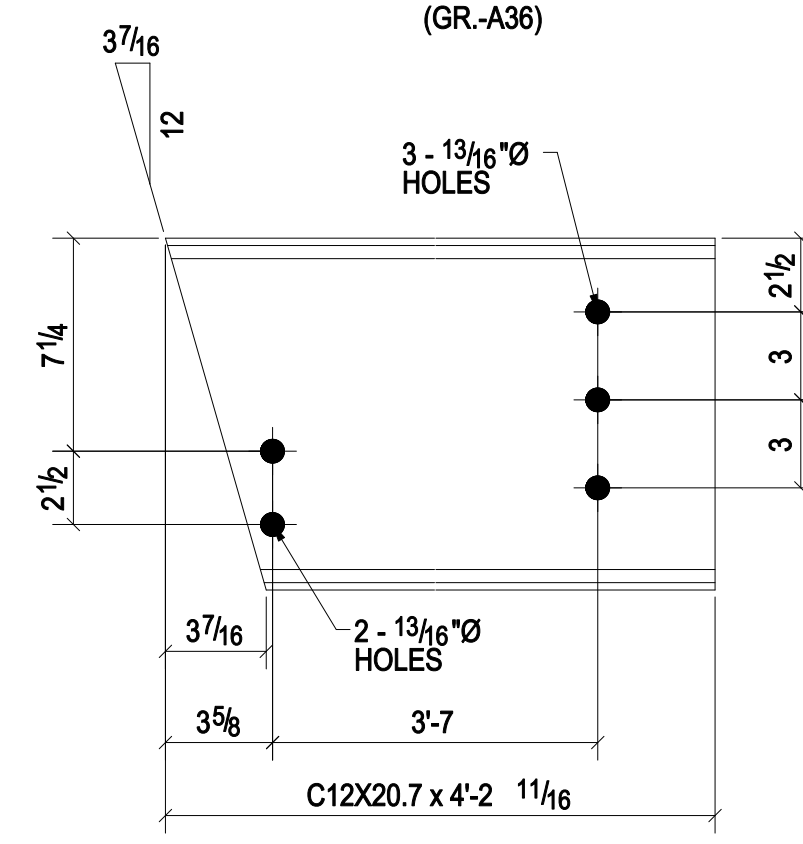
**ONE - STRINGER - c46**  
(GR.-A36)



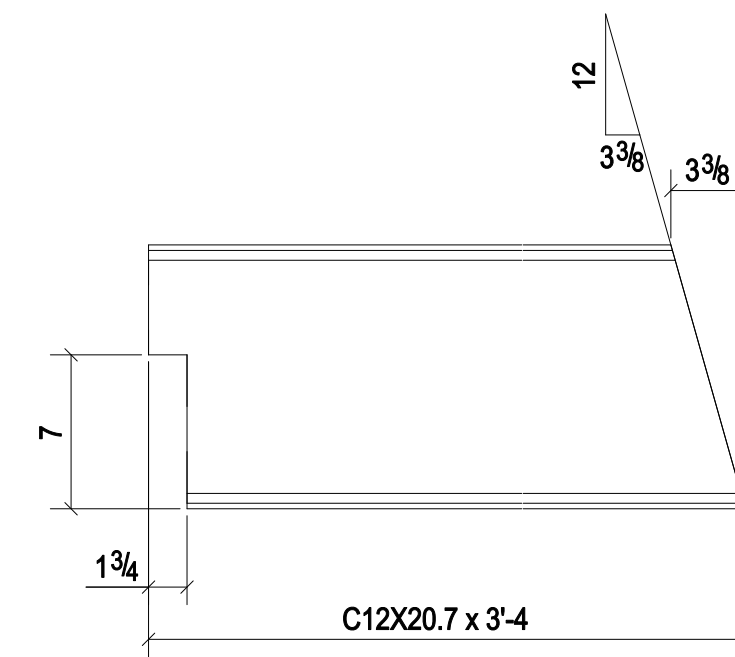
**4 - STRINGERS - c47**  
(GR.-A36)



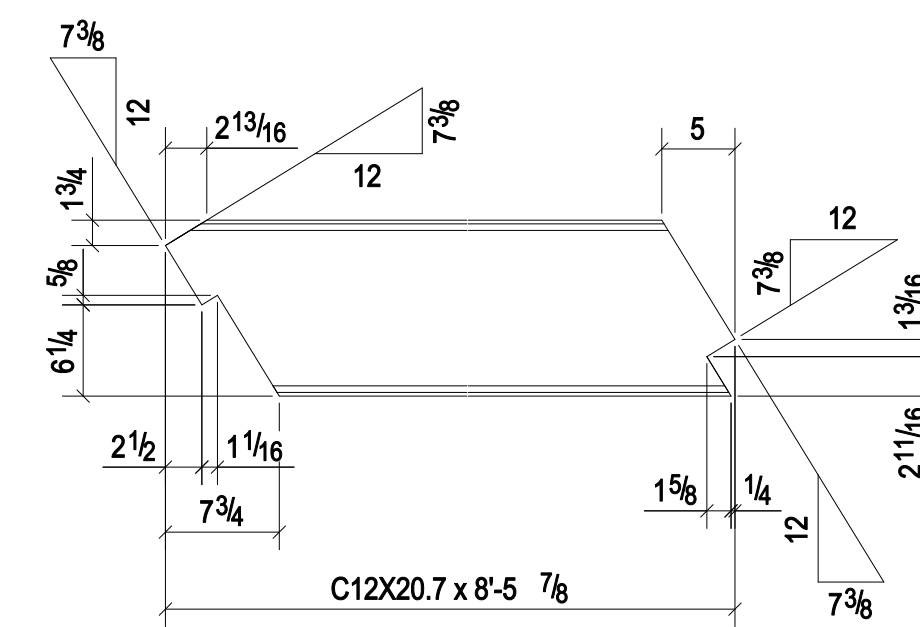
**ONE - STRINGER - c48**  
(GR.-A36)



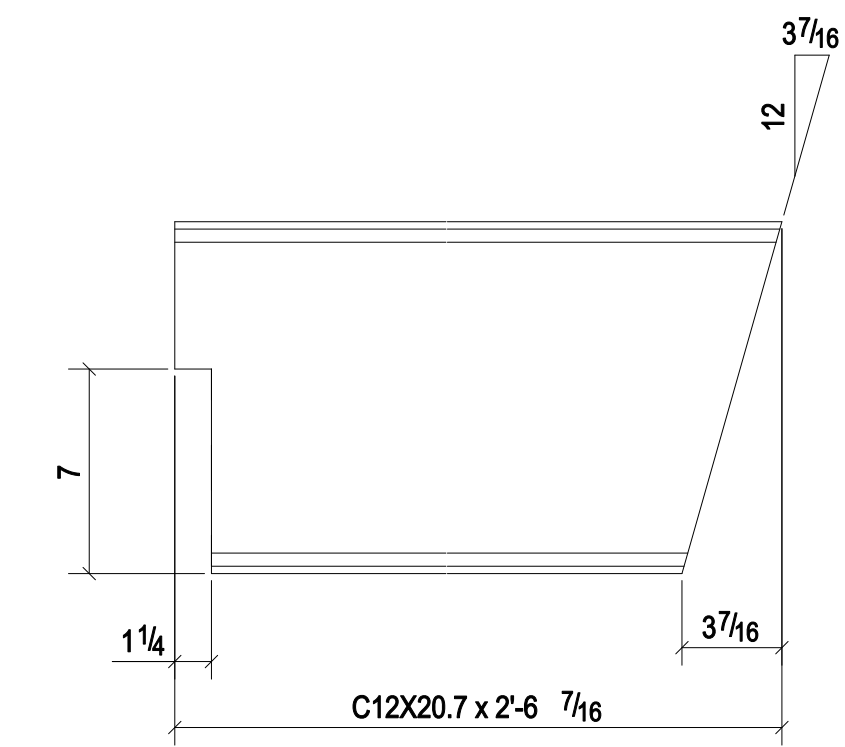
**ONE - STRINGER - c49**  
(GR.-A36)



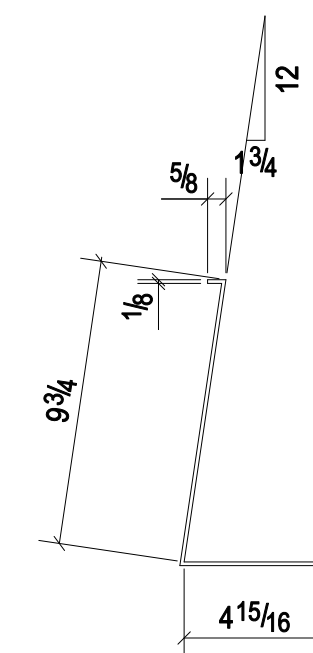
**ONE - STRINGER - c50**  
(GR.-A36)



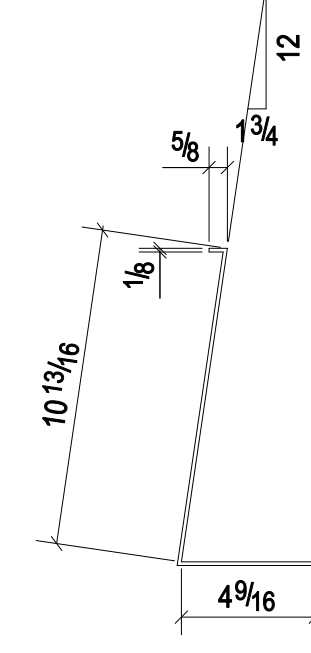
**ONE - STRINGER - c55**  
(GR.-A36)



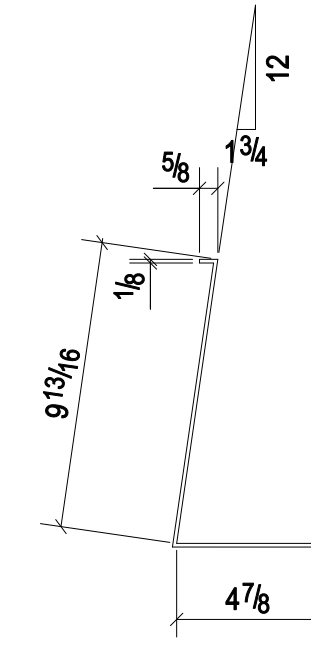
**ONE - STRINGER - c56**  
(GR.-A36)



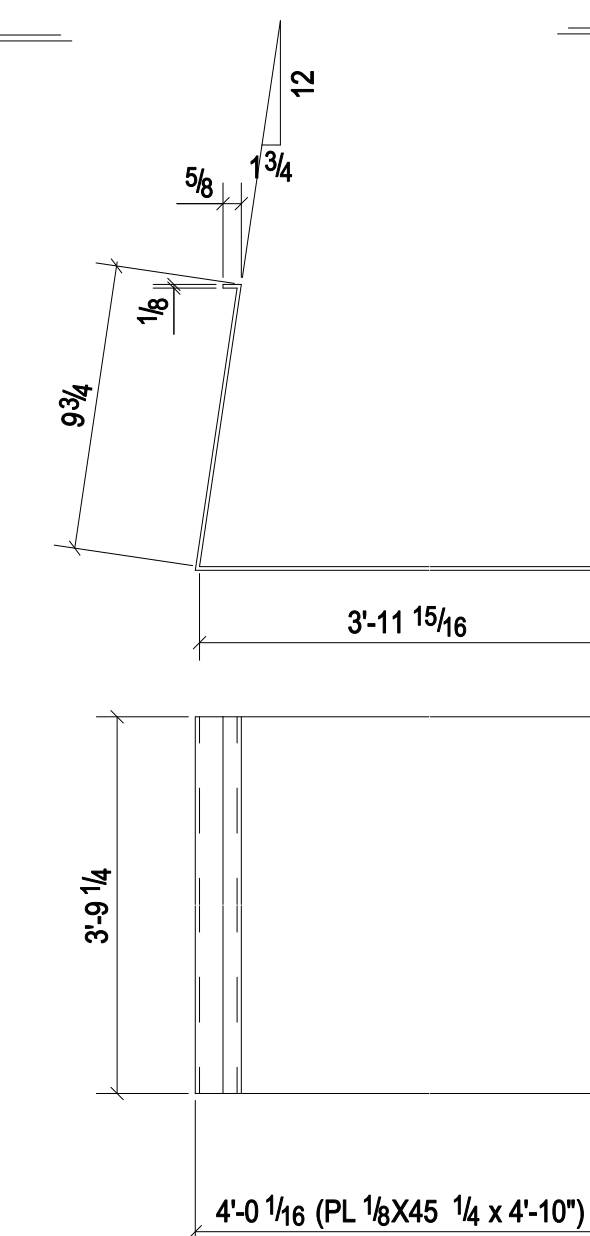
**4 - TREADS - m272**  
(GR.-A36)



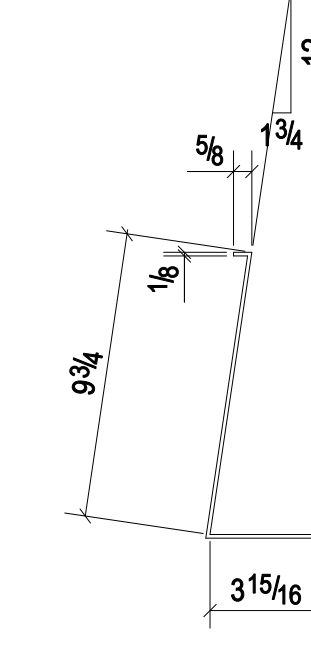
**ONE - TREAD - m273**  
(GR.-A36)



**ONE - TREAD - m274**  
(GR.-A36)



**ONE - TREAD - m275**  
(GR.-A36)



**4 - TREADS - m276**  
(GR.-A36)

JOB #600		
SCALE: N/A	APPROVED BY:	DRAWN BY: AJ
DATE: 04/06/2013		REVISED: ISSUED FOR FABRICA
		DRAWING NUMBER
		SP111