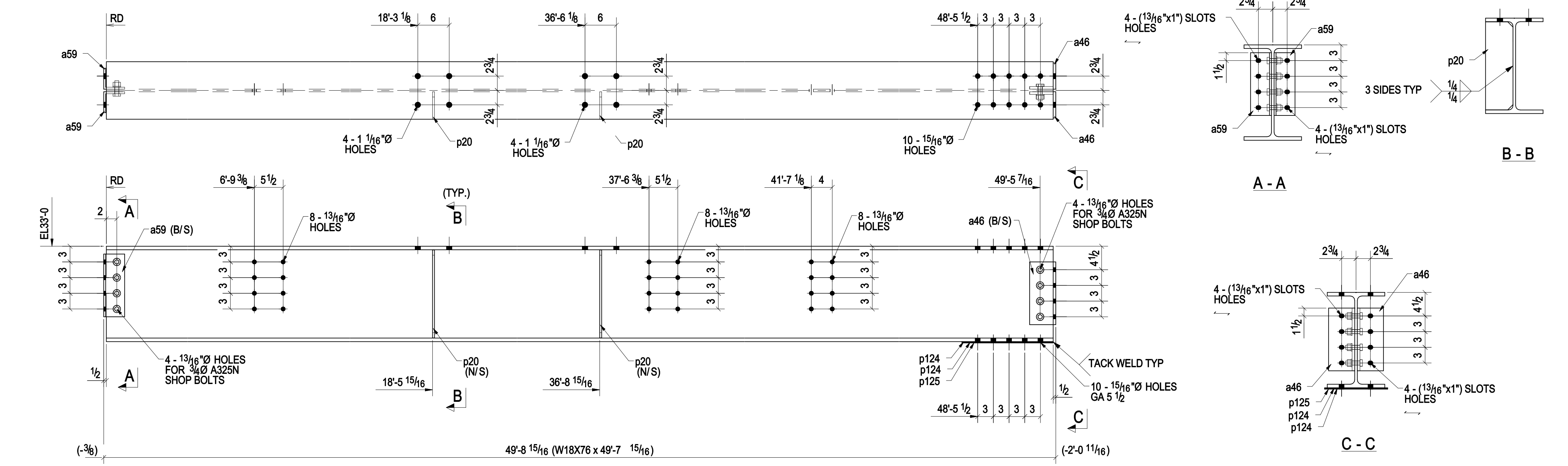
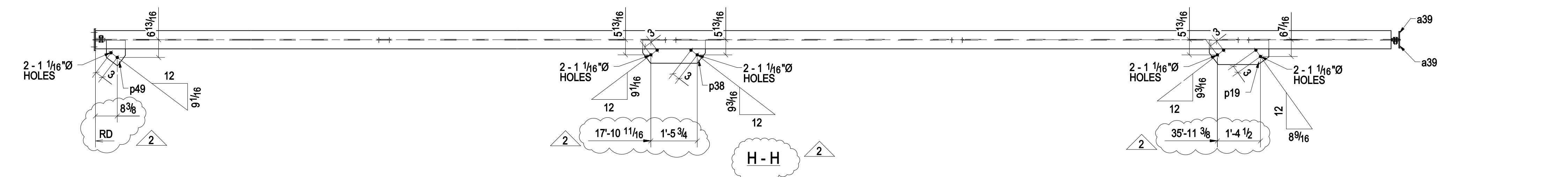


BILL OF MATERIAL

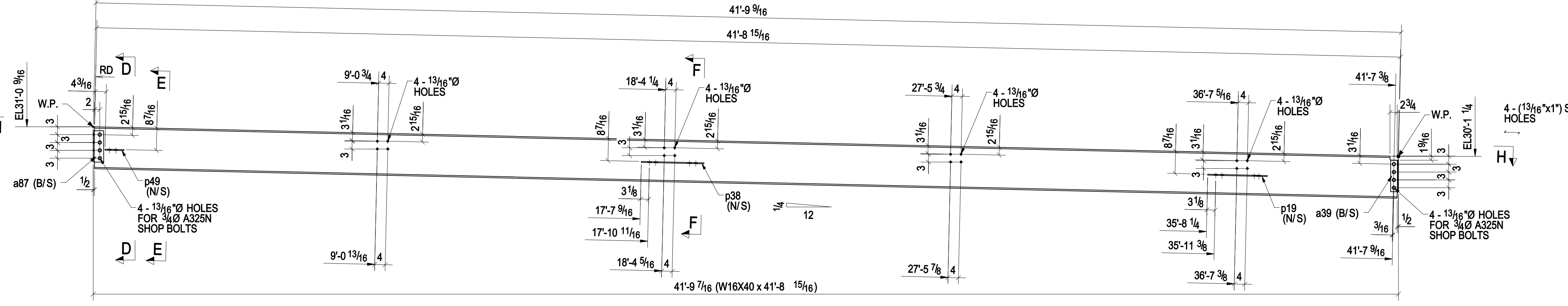
MARK	QTY	DESCRIPTION	LENGTH	WEIGHT	REMARKS
114B1	1	BEAM			SQ-2
114B1	1	W18X76	49'-7 15/16"	3769	A992
a46	2	L5X5X1/2	1'-0"	32	A36
a59	2	L4X4X3/8	1'-0"	19	A36
p20	2	FL3/8"X5 1/4"	1'-4 13/16"	19	A36
p124	2	PL1/16"X12"	1'-5 7/16"	7	A36
p125	1	FL1/8"X12"	1'-5 7/16"	7	A36
	4	3/4" Ø A325N BOLT	0'-2 3/4"	3	Workshop
	4	3/4" Ø A325N BOLT	0'-2 1/2"	3	Workshop
114B2	1	BEAM			BEV-2
114B2	1	W16X40	41'-8 15/16"	1676	A992
a39	2	L3X3X5/16	1'-0"	12	A36
a87	2	L4X4X3/8	1'-0"	19	A36
p19	1	PL3/8"X9 5/16"	1'-10 13/16"	21	A36
p38	1	PL3/8"X8 13/16"	1'-11 15/16"	21	A36
p49	1	PL3/8"X7 1/4"	0'-9 13/16"	6	A36
	8	3/4" Ø A325N BOLT	0'-2 1/4"	5	Workshop
114B3	4	BEAMS			SQ-2
114B3	4	W8X15	6'-10 9/16"	416	A992
a37	8	L3X3X5/16	0'-6"	24	A36
p3	4	FL3/8"X3 1/2"	0'-6 13/16"	10	A36
	8	3/4" Ø A325N BOLT	0'-2"	5	Workshop
	8	3/4" Ø A325N BOLT	0'-1 3/4"	4	Workshop
TOTAL WEIGHT THIS DRAWING				6080	



ONE - BEAM - 114B1



ONE - BEAM - 114B2



4 - BEAMS - 114B3

Total Qty.	Unit Qty.	Bolt Size & Length
8	2	BOLT 3/4" Ø A325N 0'-1 3/4"

FINISH : SSPC-SP2
PAINT : SHOP PRIMER

NO.	REVISION	DATE
2	REVISED AS MARKED	
1	REVISED AS MARKED	
0	FOR FABRICATION	

PROJECT NAME:
LOCATION:
CONTR: ---

DRAWN BY:	DATE:	CHECKED BY:
JOB NO. ---	BEAM	SHEET NO. 114