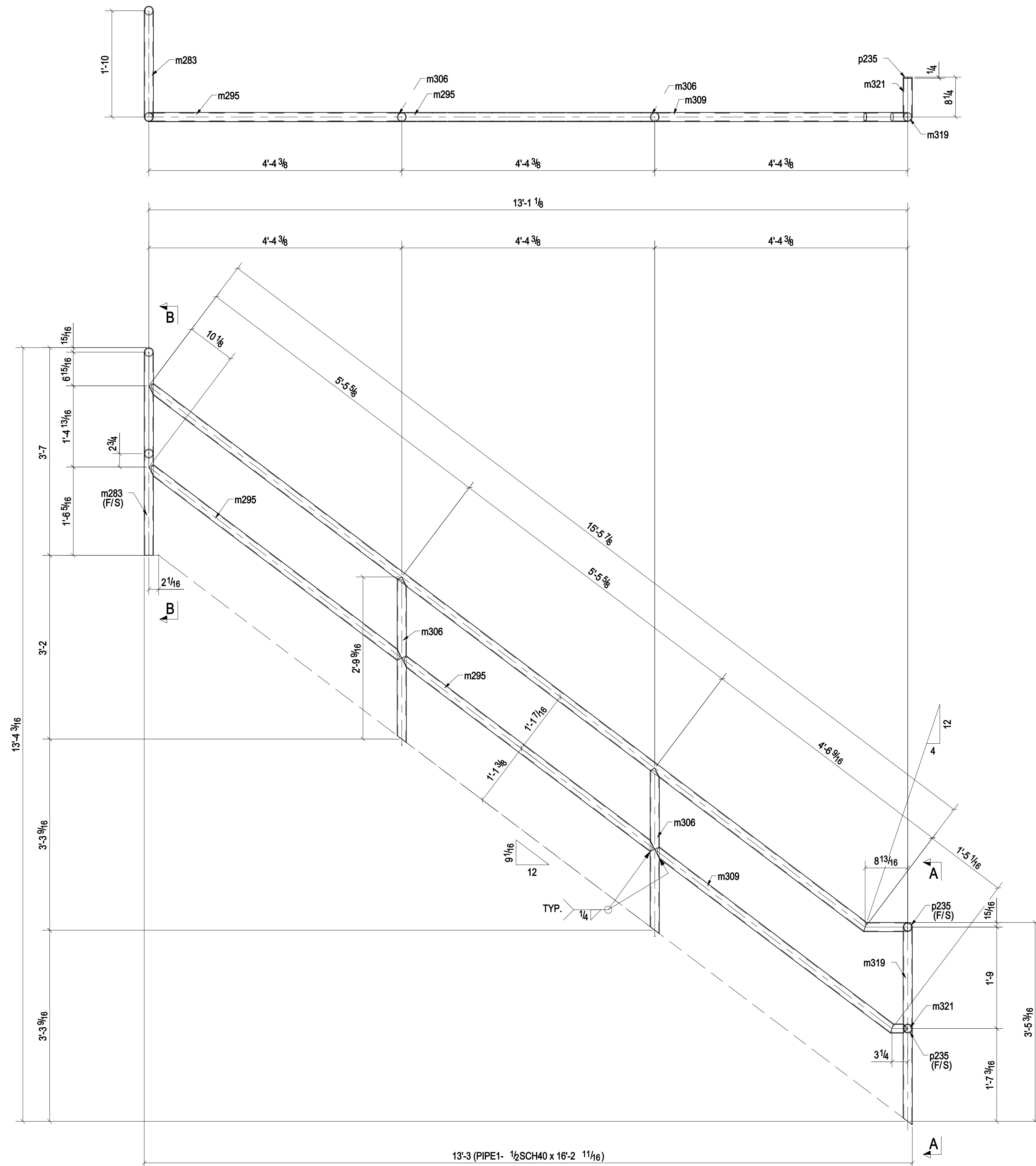


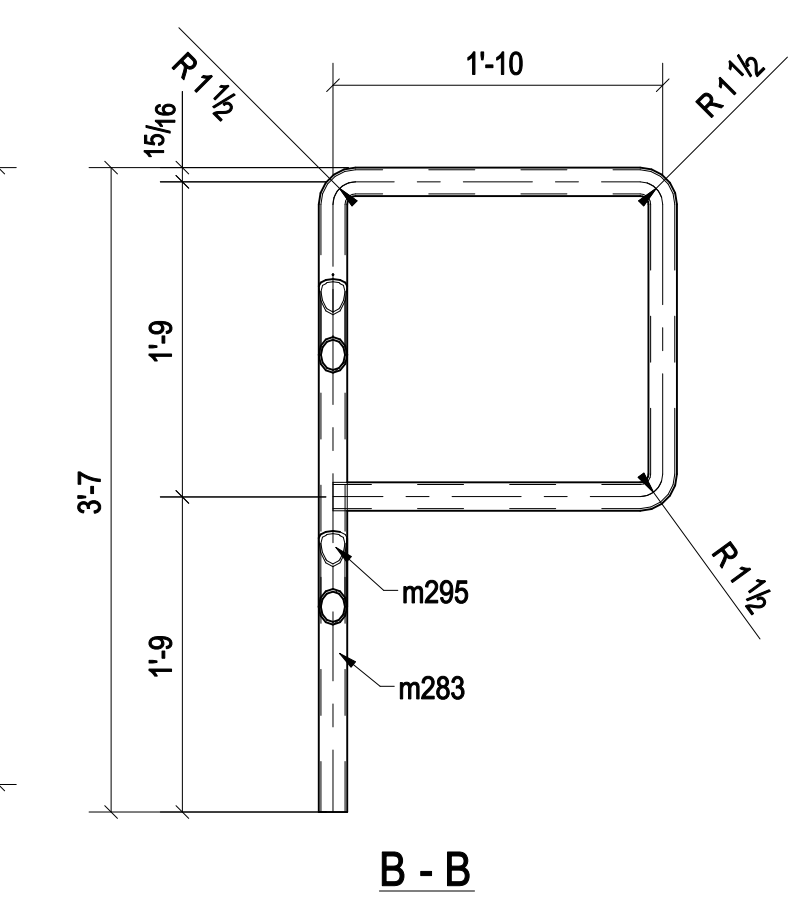
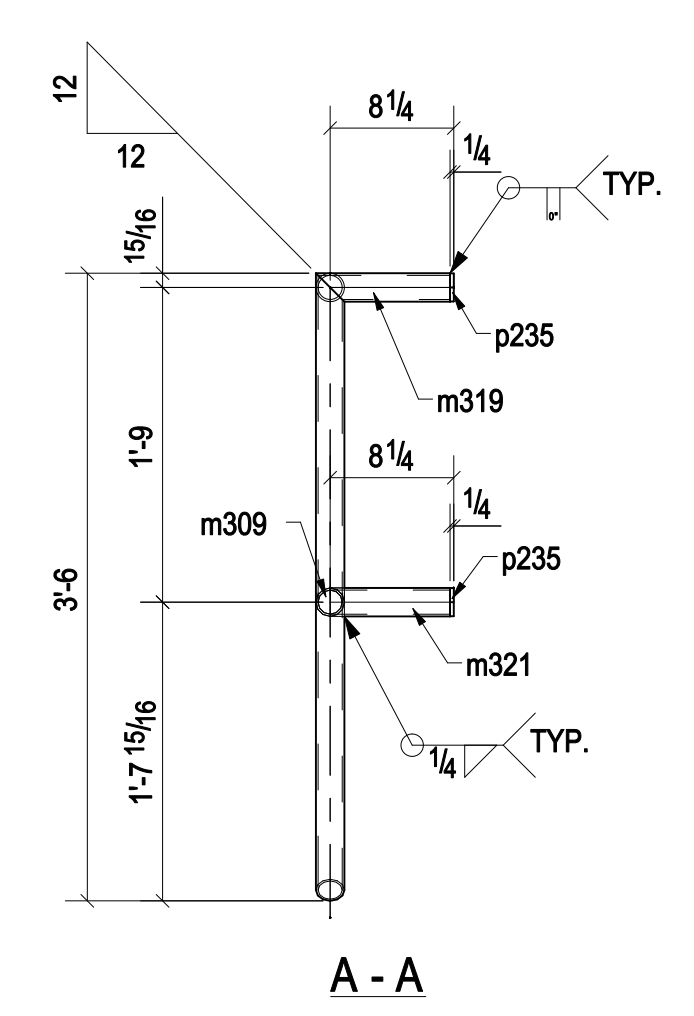
BILL OF MATERIAL

MARK	QTY	DESCRIPTION	LENGTH	WEIGHT	REMARKS
175GR1	1	GUARDRAIL			
175GR1	1	PIPE1-1/2SCH40	16'-2 11/16"	41	A53
m283	1	PIPE1-1/2SCH40	8'-4 5/8"	21	A53
m295	2	PIPE1-1/2SCH40	5'-5 5/8"	28	A53
m306	2	PIPE1-1/2SCH40	2'-10 1/4"	15	A53
m309	1	PIPE1-1/2SCH40	5'-4 13/16"	14	A53
m319	1	PIPE1-1/2SCH40	4'-0 15/16"	10	A53
m321	1	PIPE1-1/2SCH40	0'-8"	2	A53
p235	2	PL1/4"x1 7/8"	0'-1 7/8"	0	A36
TOTAL WEIGHT THIS DRAWING				132	



ONE - GUARDRAIL - 175GR1

GALV.
1



△		
↑	REVISED AS MARKED	
0	FOR FABRICATION	
NO.	REVISION	DATE
PROJECT NAME:		
LOCATION:		
CONTR: ---		
DRAWN BY:		
DATE:		
CHECKED BY:		
JOB NO.	GUARDRAIL	SHEET NO. 175