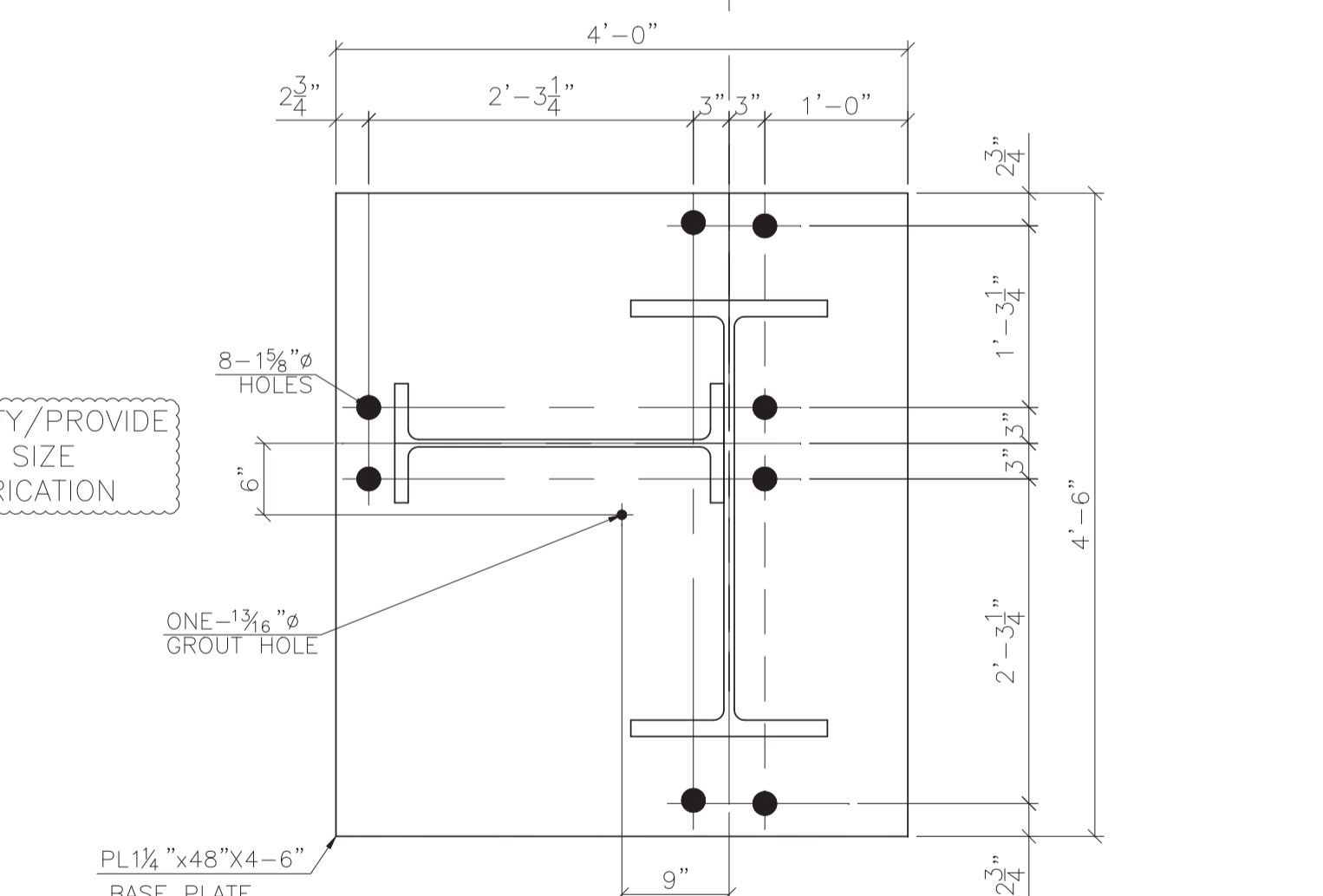
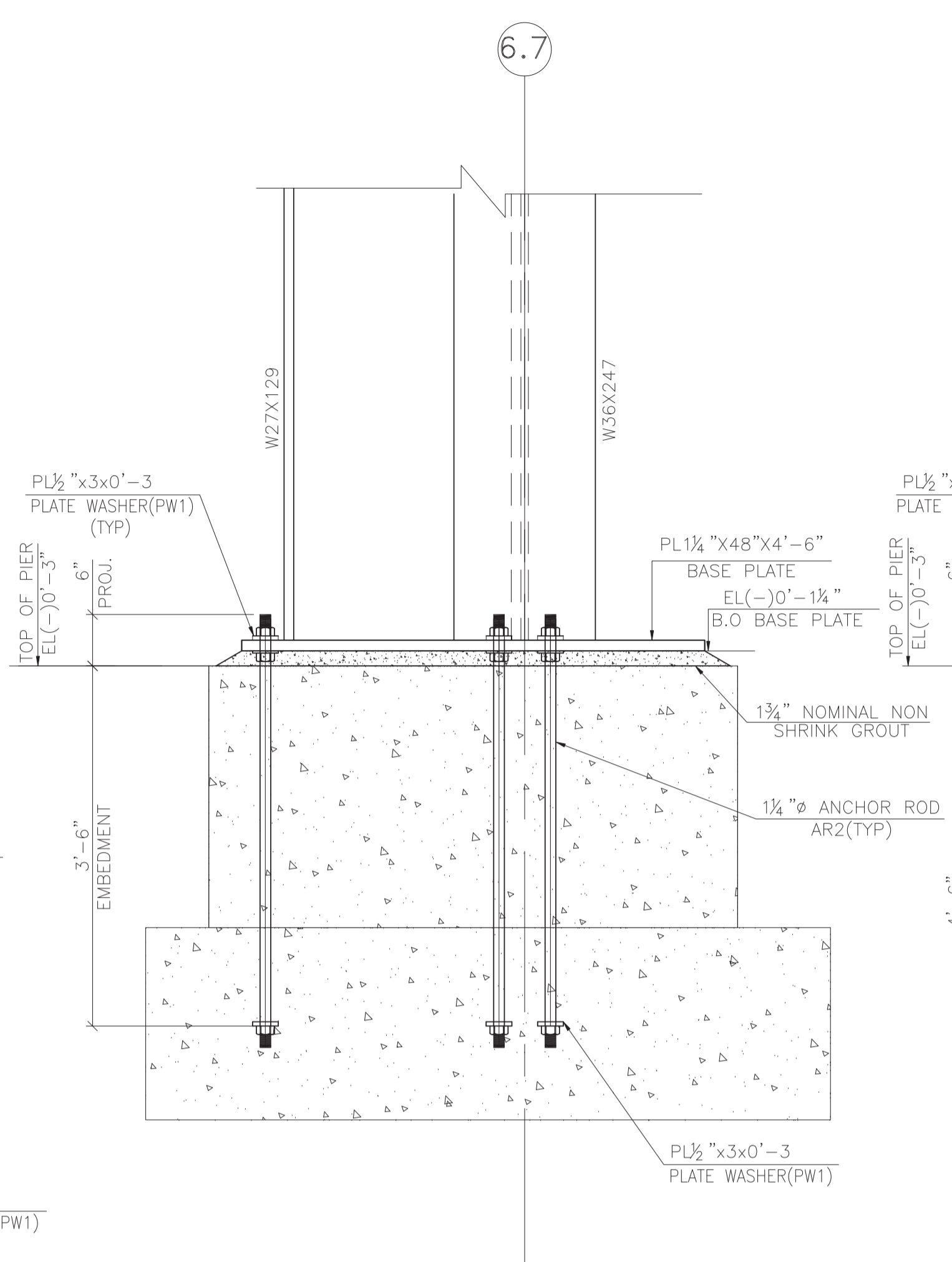
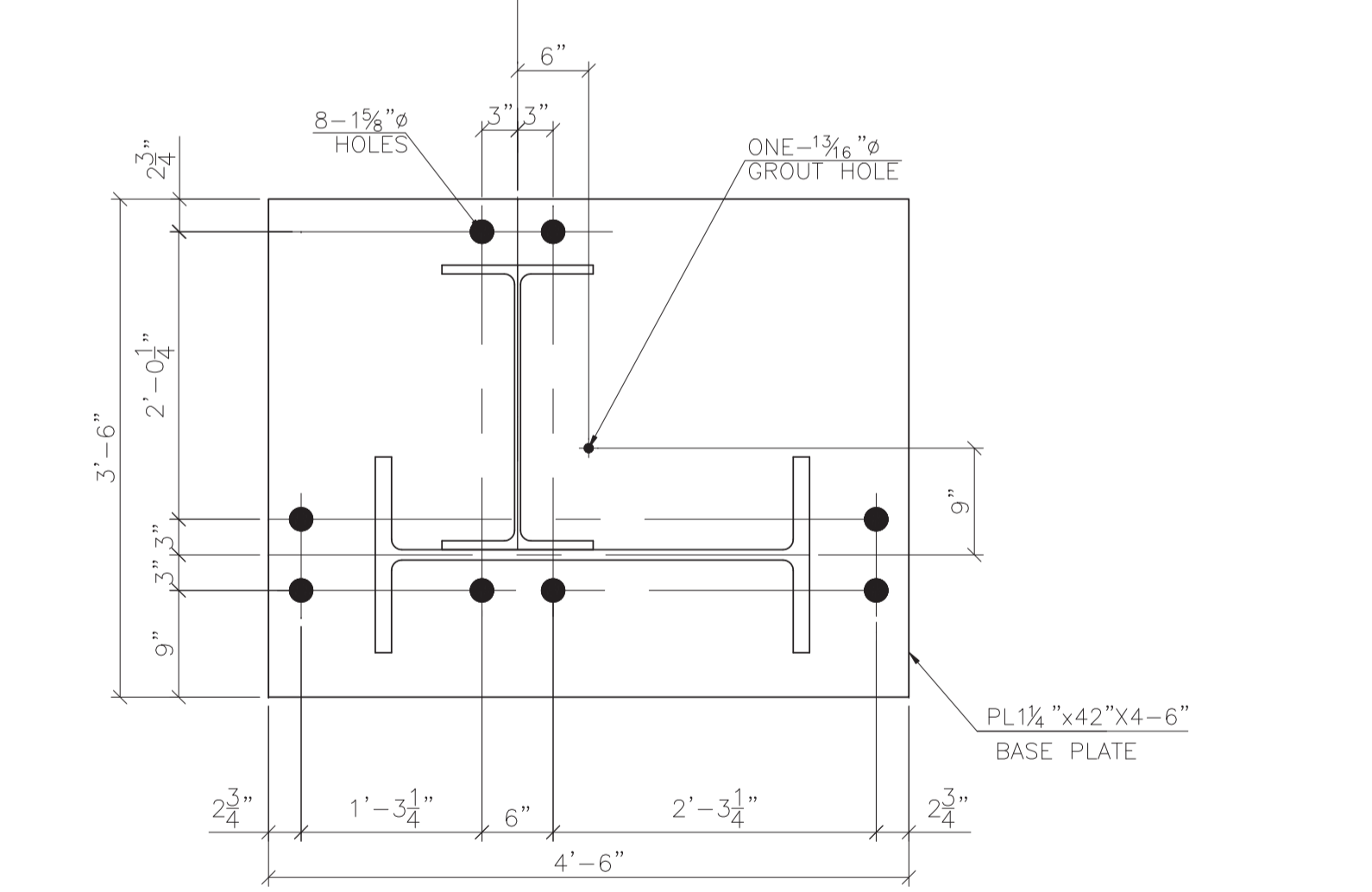
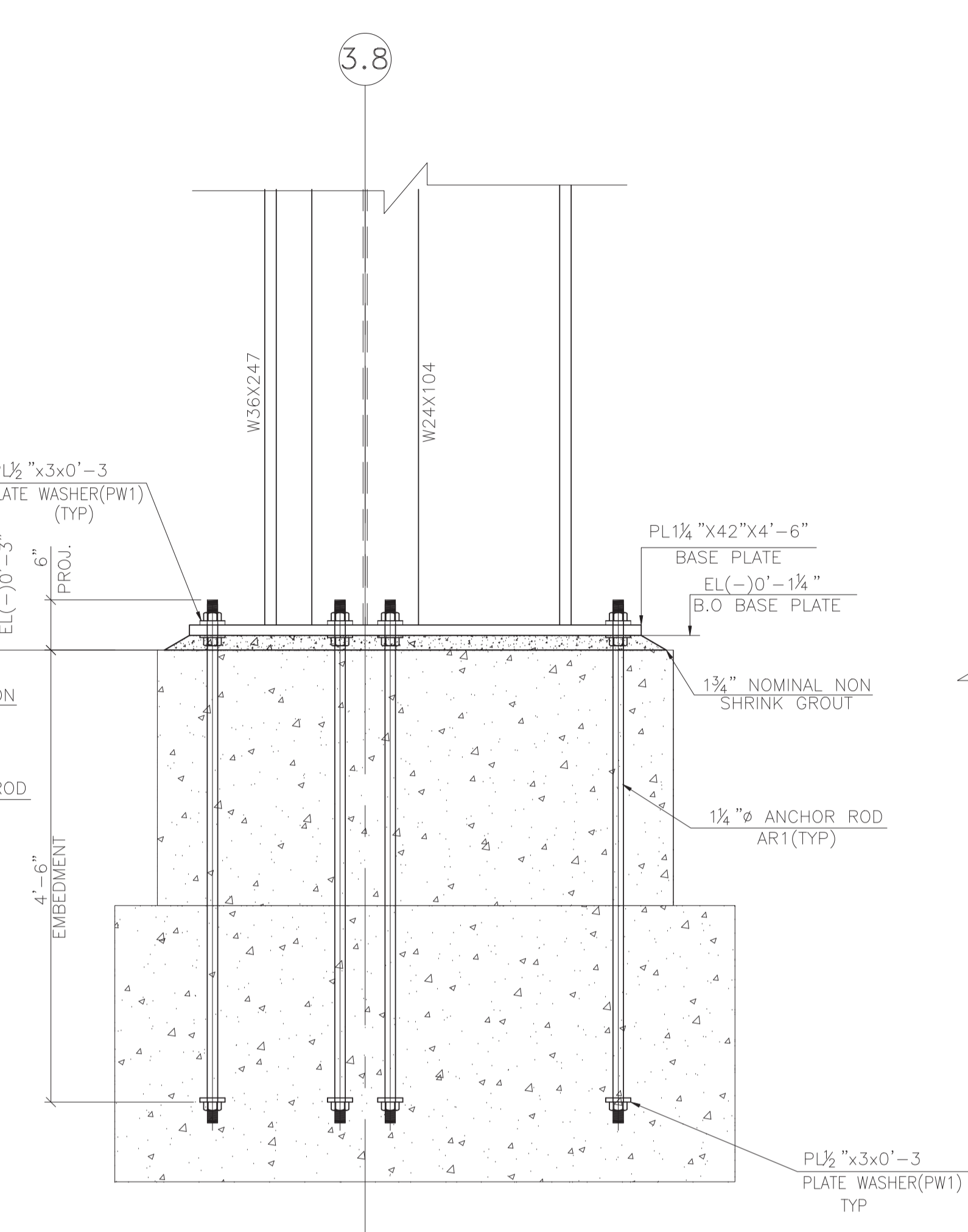


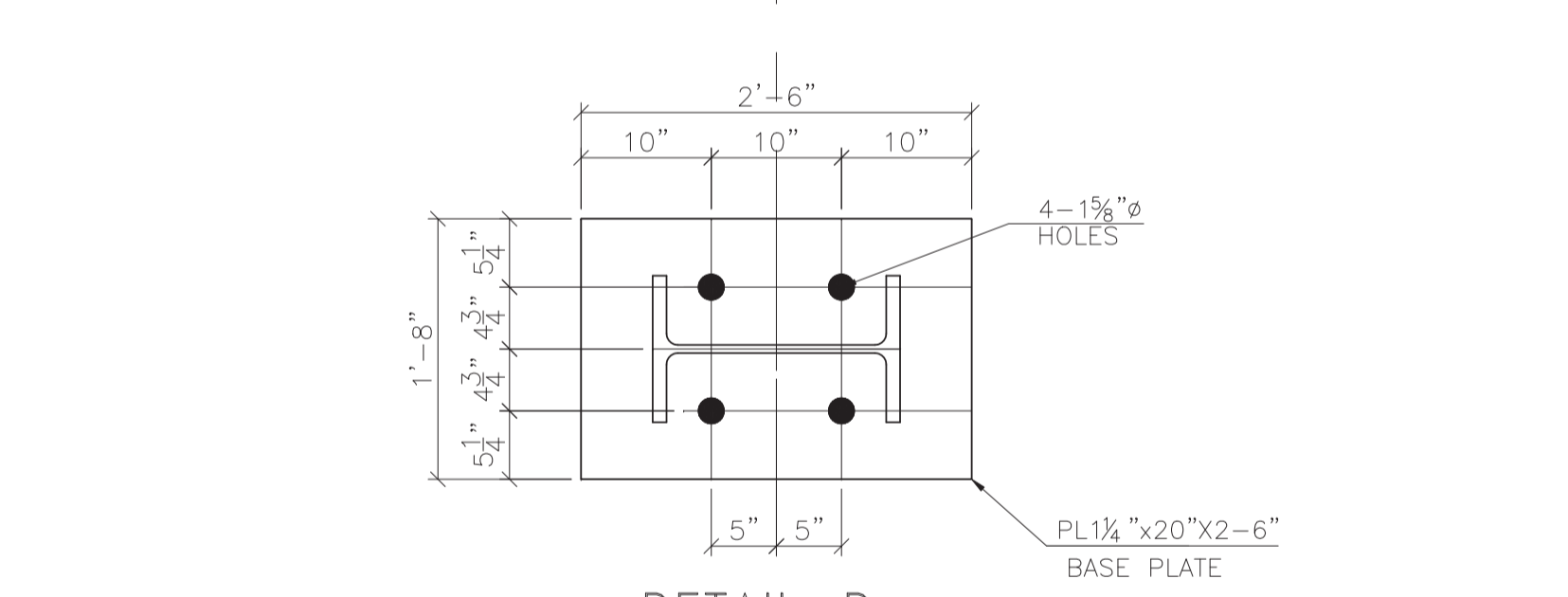
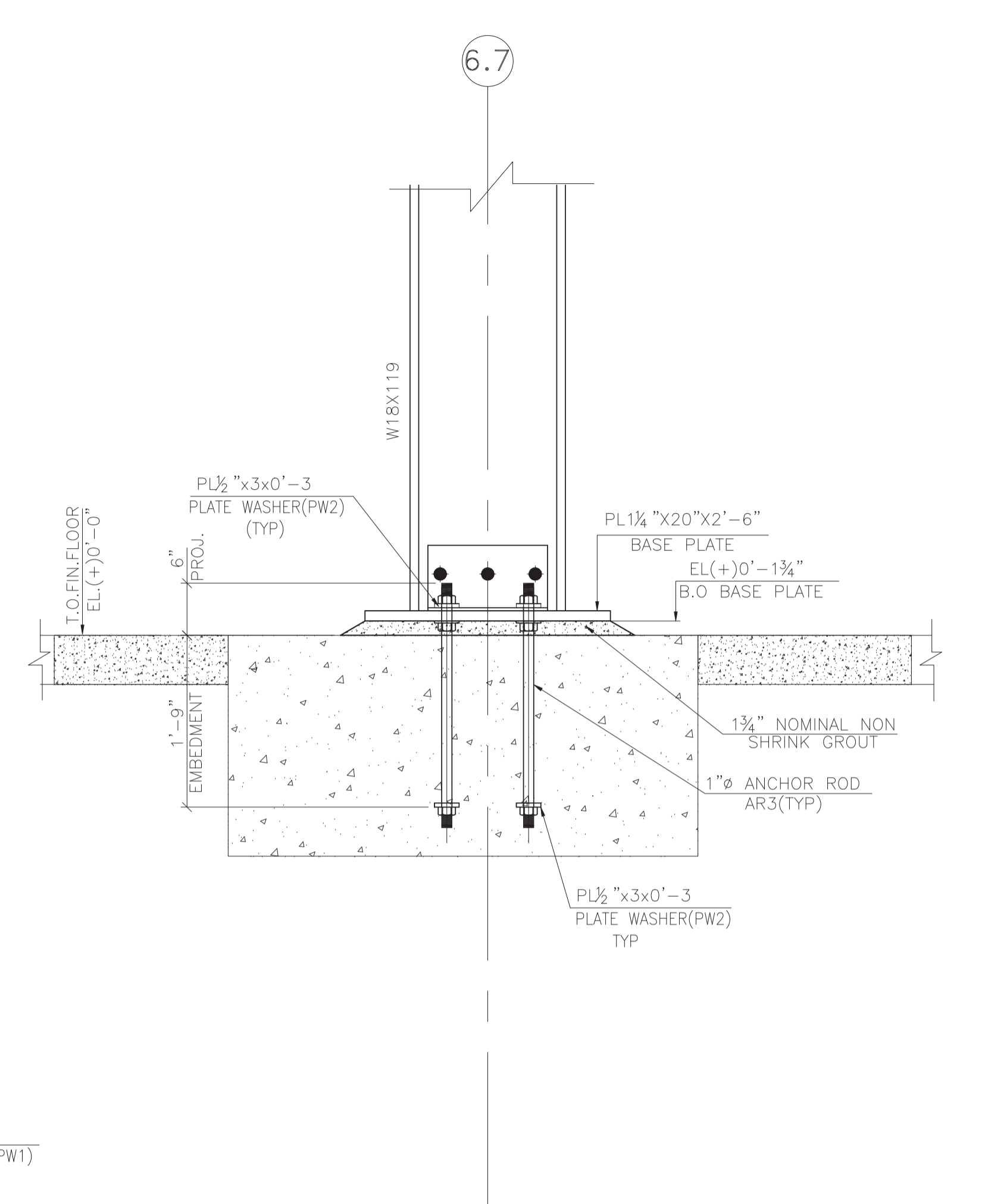
**DETAIL-A**  
(REF: C/S-501)  
(ONE LOCATION@AB1)



**DETAIL-B**  
(REF: D/S-501)  
(ONE LOCATION@AB1)



**DETAIL-C**  
(REF: A/S-501)  
(ONE LOCATION@AB1)



**DETAIL-D**  
(REF: B/S-501)  
(ONE LOCATION@AB1)

△		
△		
△		
○	FOR FIELD USE	
NO.	REVISION	DATE
PROJECT NAME:		
LOCATION:		
CONTR: ---		
DRAWN BY:		
DATE:		
CHECKED BY:		
JOB NO. ---	ANCHOR BOLT	SHEET NO. AB2