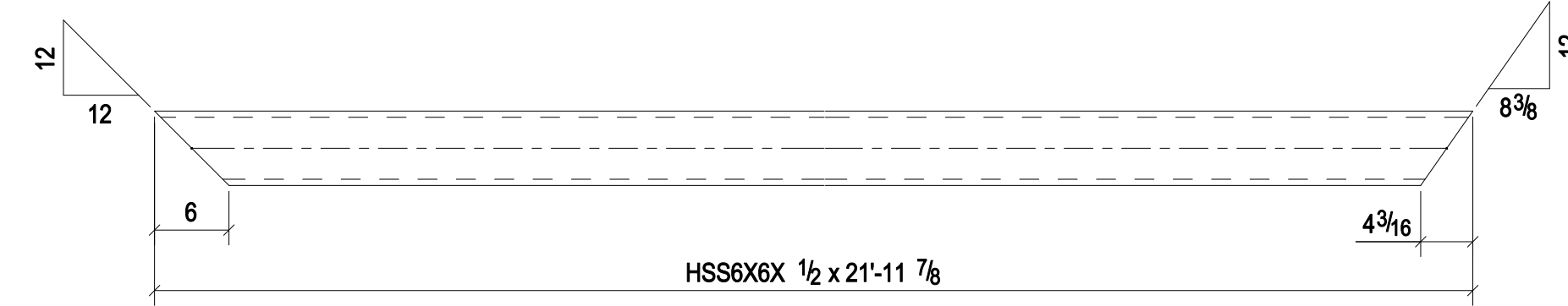


BILL OF MATERIAL

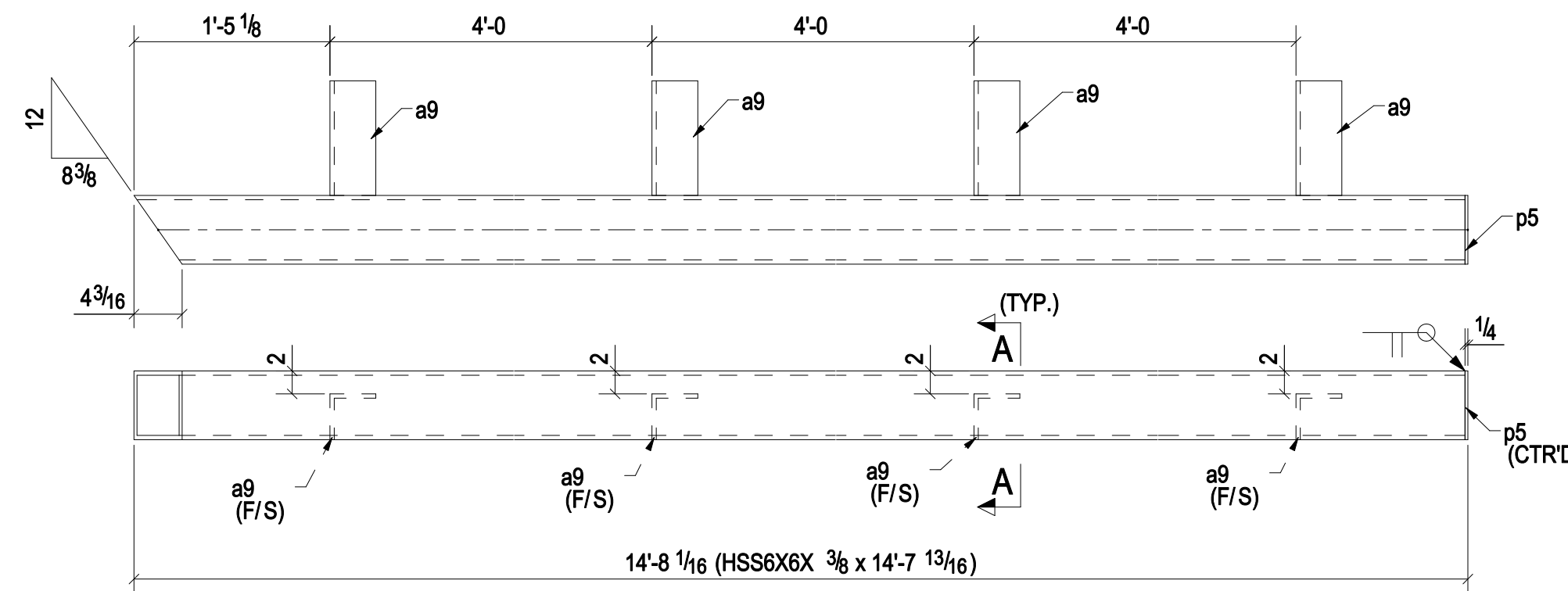
MARK	QTY	DESCRIPTION	LENGTH	WEIGHT	REMARKS
146M1	1	MISC			
146M1	1	HSS6X6X1/2	21'-11 7/8"	729	A500-GR.B
146M2	1	MISC			
146M2	1	HSS6X6X3/8	14'-7 13/16"	378	A500-GR.B
a9	4	L4X4X3/8	0'-10"	32	TACK WELD A36
p5	1	FL14"x8"	0'-6"	3	A36
146M3	1	MISC			
146M3	1	HSS6X6X3/8	22'-8 1/8"	585	A500-GR.B
p5	1	FL14"x8"	0'-6"	3	A36
p20	1	FL14"x8"	0'-6 3/8"	3	A36
146M4	1	MISC			
146M4	1	L3X3X3/8	3'-10 1/2"	28	A36
146M5	1	MISC			
146M5	1	L3X3X3/8	10'-6 13/16"	76	A36
146M6	1	MISC			
146M6	1	L3X3X3/8	10'-6 13/16"	76	A36
146M7	1	MISC			
146M7	1	L3X3X3/8	4'-1 1/2"	30	A36
146M8	1	MISC			
146M8	1	L3X3X3/8	11'-3 5/16"	81	A36
146M9	1	MISC			
146M9	1	L3X3X3/8	11'-3 5/16"	81	A36
146M10	1	MISC			
146M10	1	L3X3X3/8	8'-7"	62	QALV. A36
TOTAL WEIGHT THIS DRAWING				2185	

PROJECT PHASING

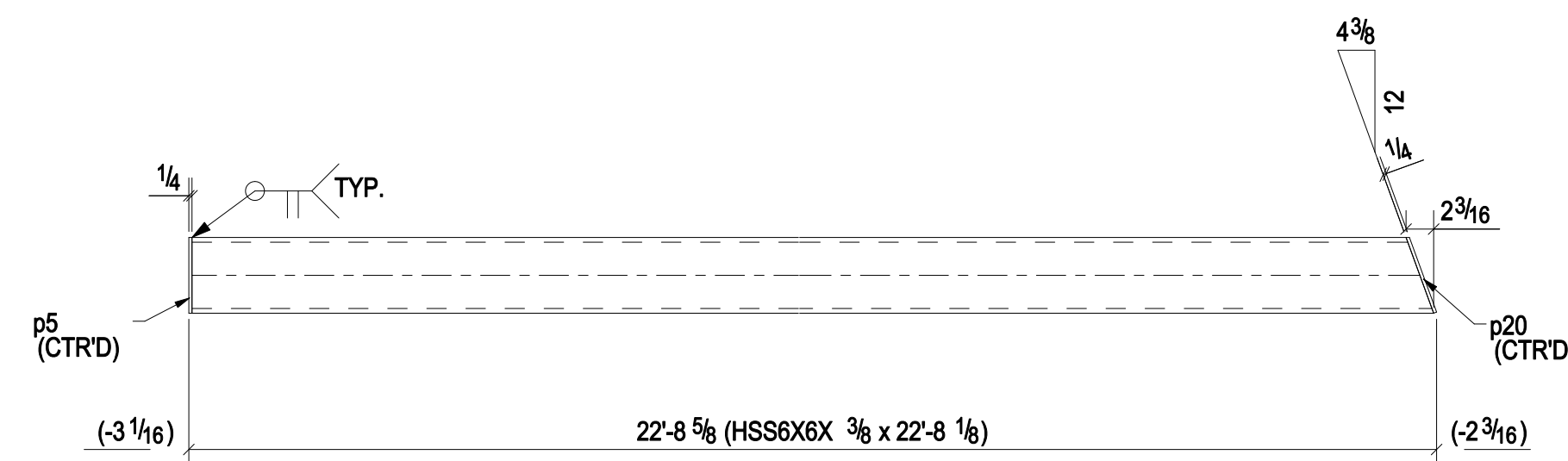
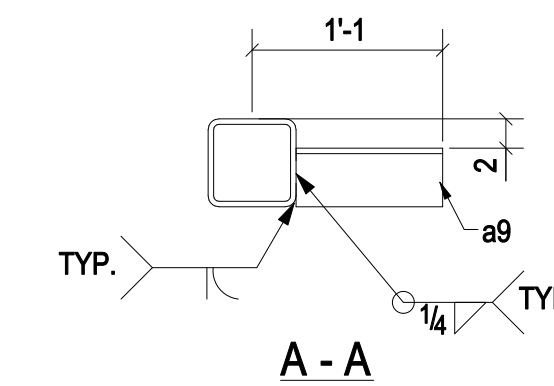
MARK	QTY	PHASE
146M1	1	Phase 1
146M2	1	Phase 1
146M3	1	Phase 1
146M4	1	Phase 1
146M5	1	Phase 1
146M6	1	Phase 1
146M7	1	Phase 1
146M8	1	Phase 1
146M9	1	Phase 1
146M10	1	Phase 1



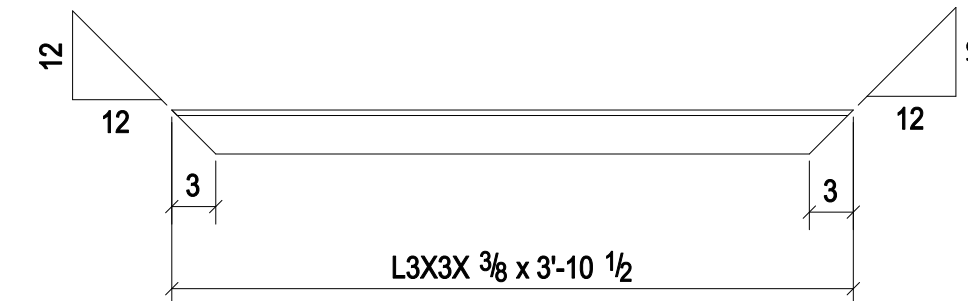
ONE - MISC - 146M1



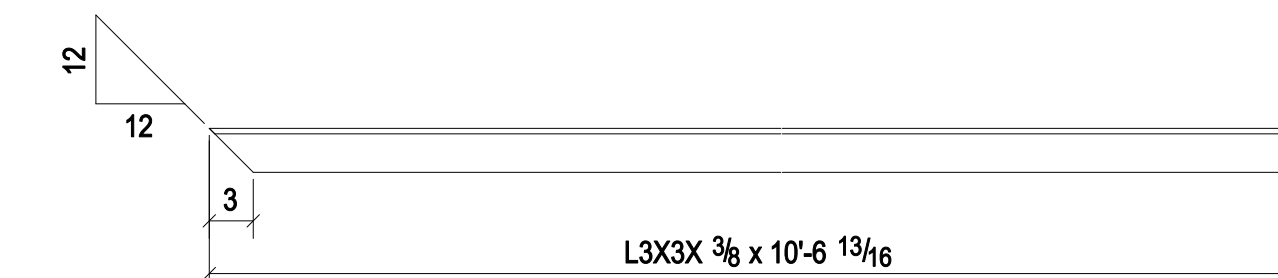
ONE - MISC - 146M2



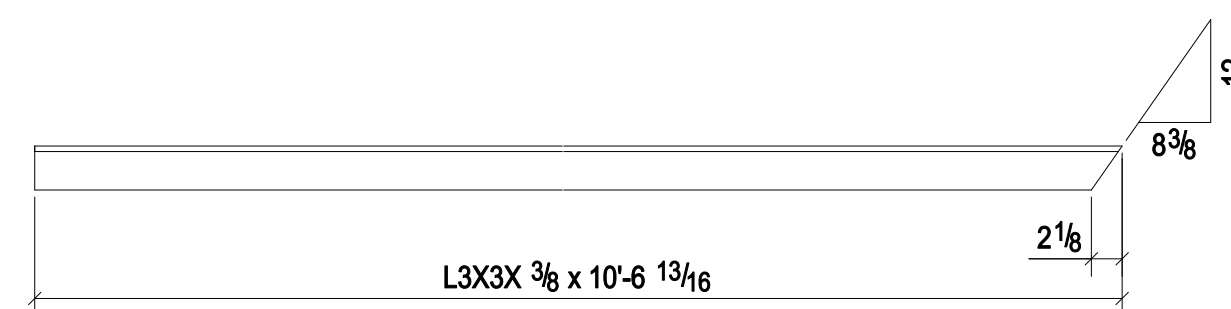
ONE - MISC - 146M3



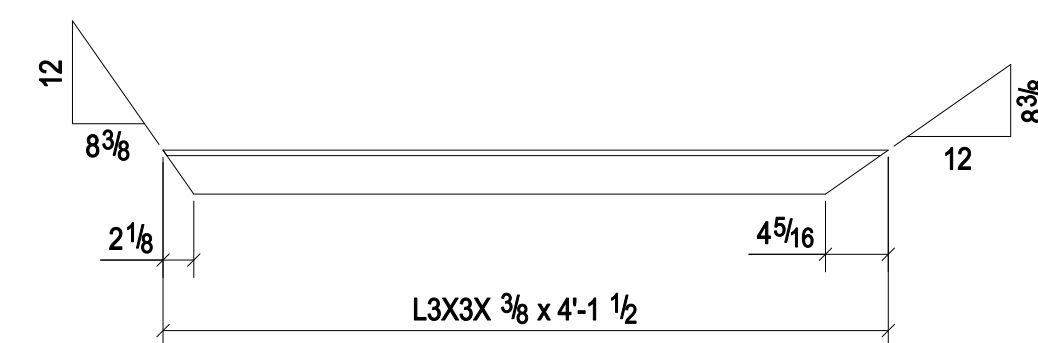
ONE - MISC - 146M4



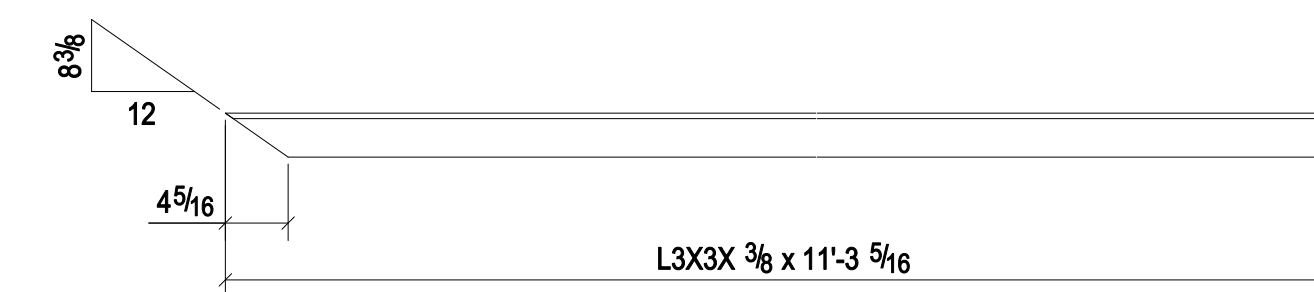
ONE - MISC - 146M5



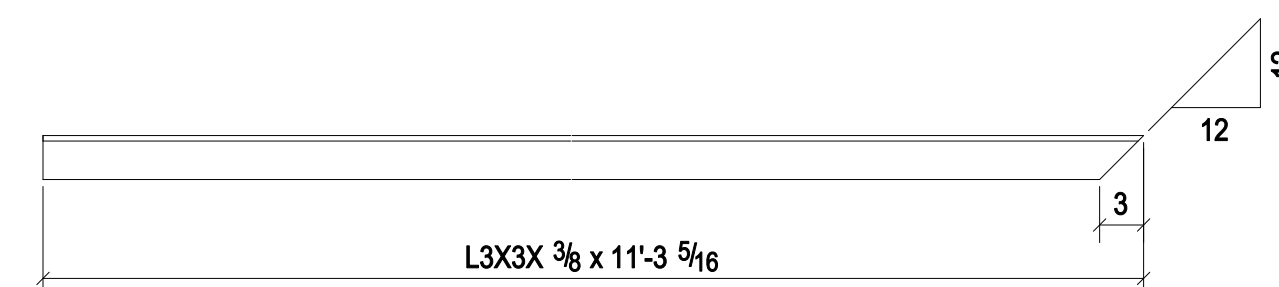
ONE - MISC - 146M6



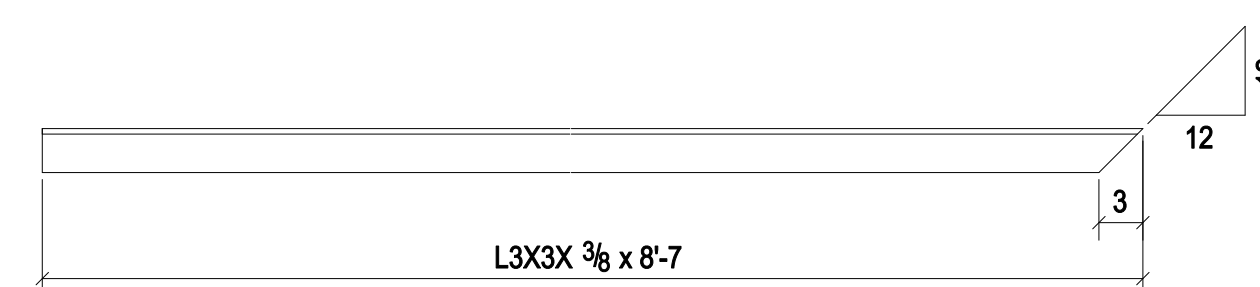
ONE - MISC - 146M7



ONE - MISC - 146M8



ONE - MISC - 146M9



ONE - MISC - 146M10

<p>05/26/14 FOR APPROVAL</p>						
<p>PRINT RECORD</p>						
DATE	APP.	SHOP	FIELD	DIST.	COORD.	F.C. OFFICE
<p>SHOP DRAWING DISCLAIMER</p> <p>ALL INFORMATION PROVIDED ON THESE DRAWINGS ARE PREPARED IN ACCORDANCE TO THE CONTRACT DOCUMENTS AND THE SPECIFICATIONS. ALL DIMENSIONS SHOWN ARE TO FACE UNLESS OTHERWISE NOTED. THE CONTRACTOR SHALL BE RESPONSIBLE FOR VERIFYING ALL DIMENSIONS AND CONDITIONS OF THE WORK BEFORE BEGINNING. THE CONTRACTOR SHALL BE RESPONSIBLE FOR OBTAINING ALL NECESSARY PERMITS AND APPROVALS. THE CONTRACTOR SHALL BE RESPONSIBLE FOR PROTECTING ALL EXISTING UTILITIES AND STRUCTURES. THE CONTRACTOR SHALL BE RESPONSIBLE FOR MAINTAINING ACCESS TO ALL ADJACENT PROPERTIES AND STRUCTURES. THE CONTRACTOR SHALL BE RESPONSIBLE FOR PROTECTING ALL EXISTING UTILITIES AND STRUCTURES. THE CONTRACTOR SHALL BE RESPONSIBLE FOR MAINTAINING ACCESS TO ALL ADJACENT PROPERTIES AND STRUCTURES.</p>						
MATERIAL:	HOLE SIZE:	BOLT GRADE:	MINIMUM WELD:	ELECTRODE:		
A36 UNO	13/16" Ø UNO	A325-N UNO	3/16"	E-70XX		
ARCH:			JOB NAME & LOCATION:			
ENGR:						
CONTR:						
REF:			JOB: 14-111			
DRAWN BY: ZA	05/26/14	CHECKED BY: SK	05/26/14	SHEET: 146		
SHEET TITLE: MISC						
MODIFIED DATE: 05/26/14		LAST PLOT DATE: 05/26/14		CAD FILENAME: 146		