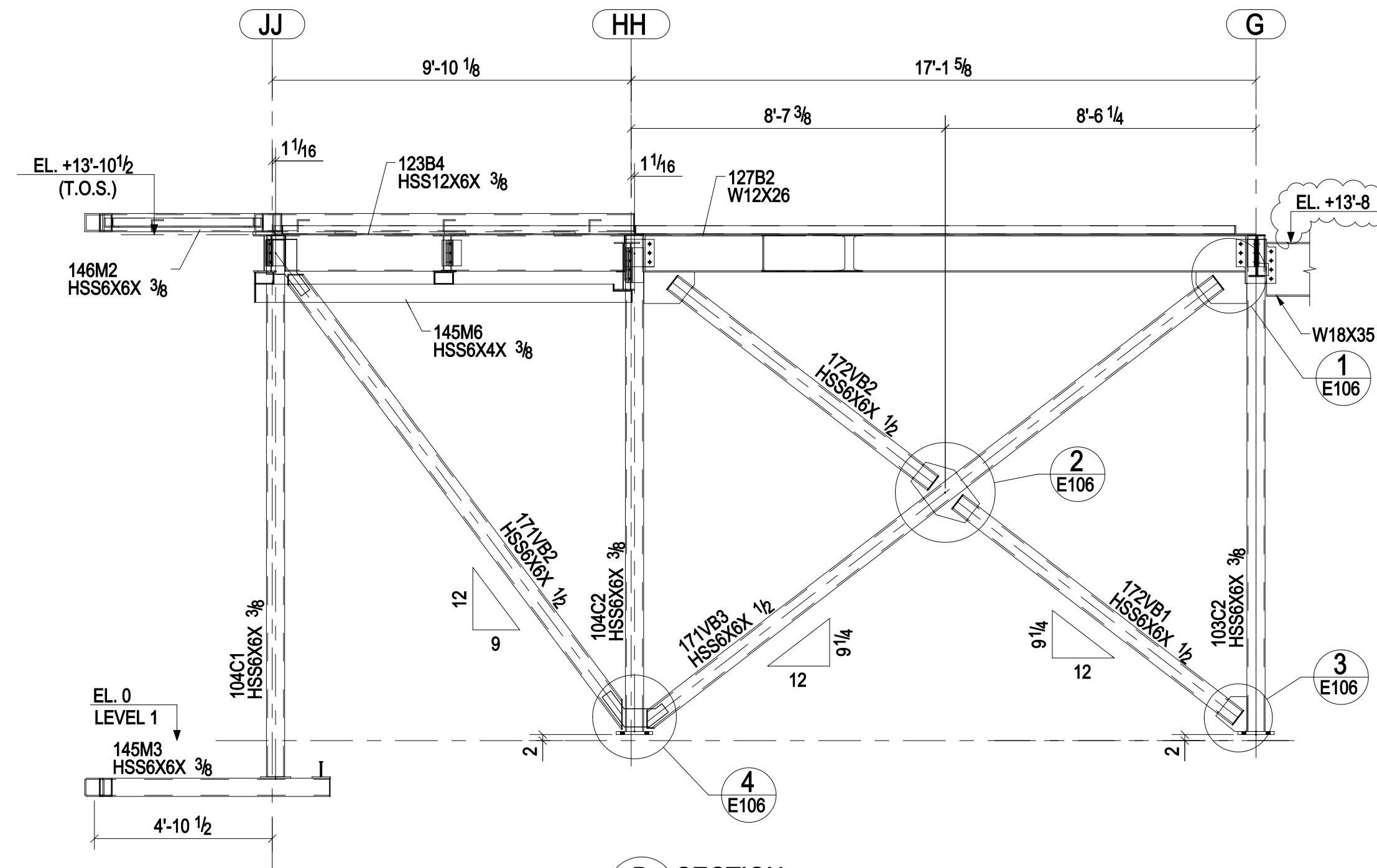
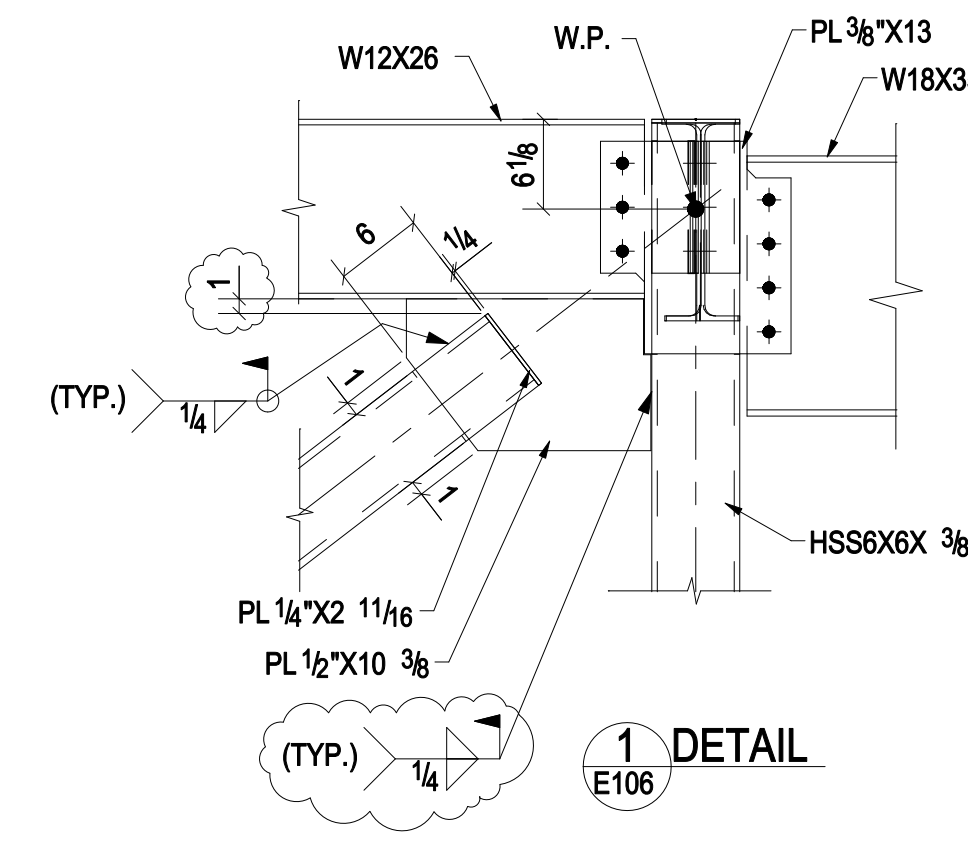


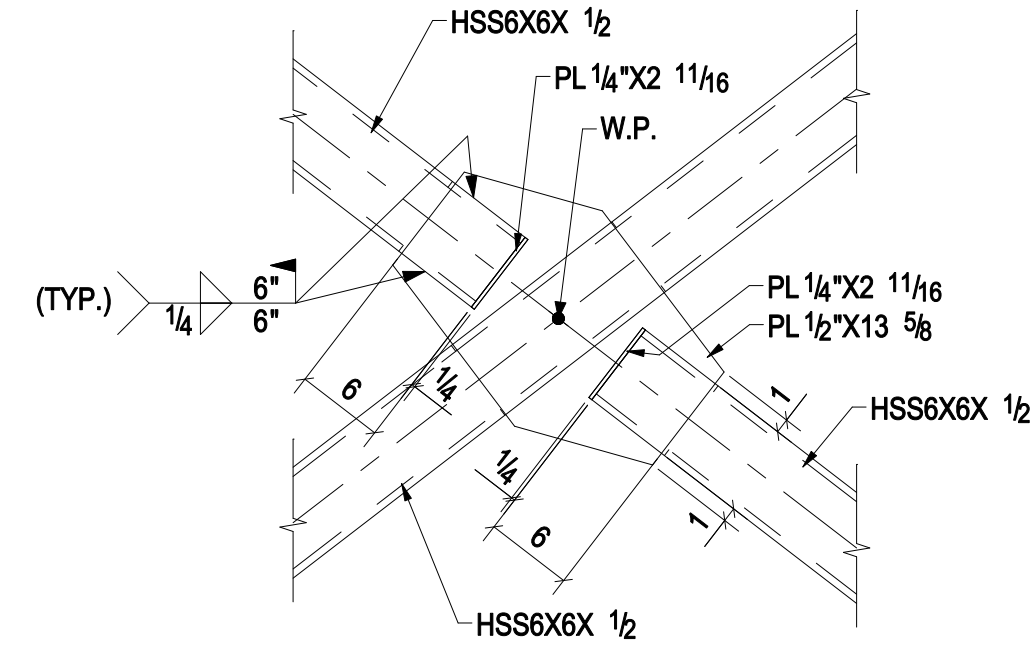
A SECTION
E103 (REF:-1/ S5.2)



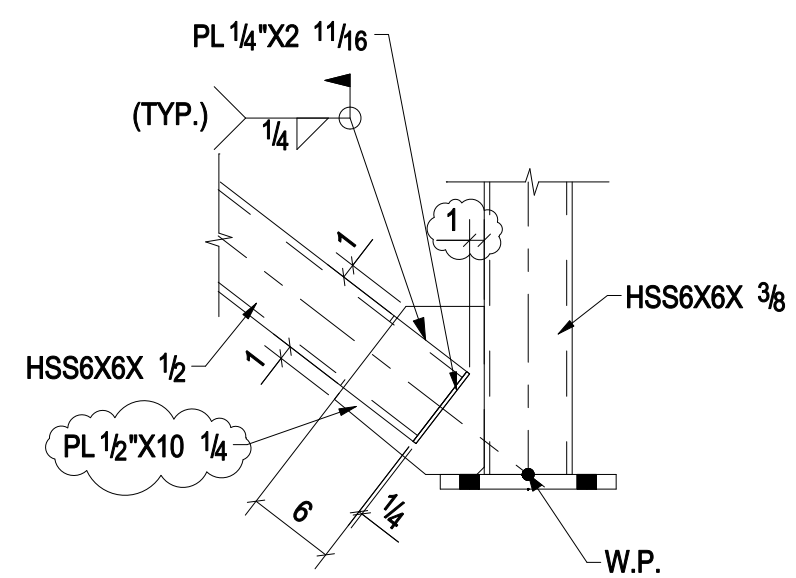
B SECTION
E103 (REF:-2/ S5.2)



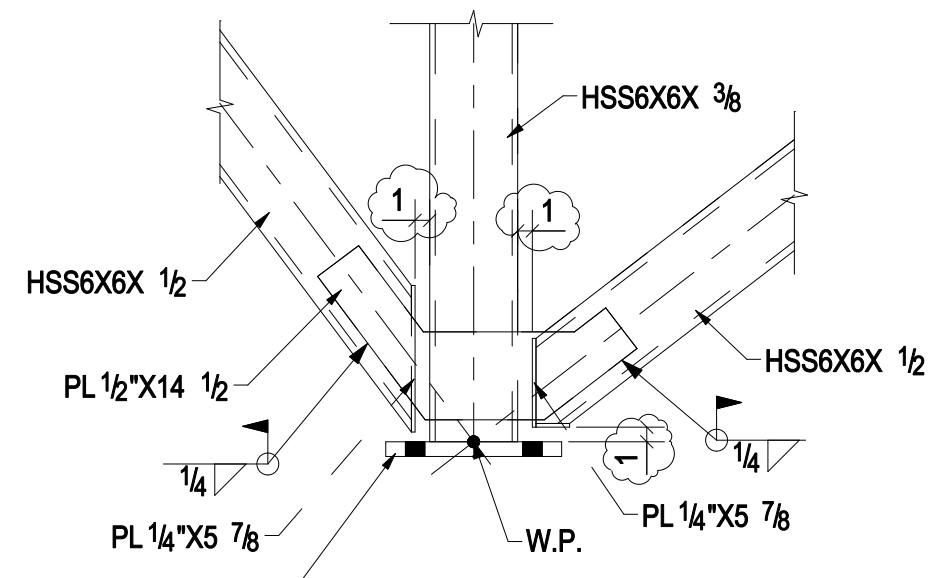
1 DETAIL
E106



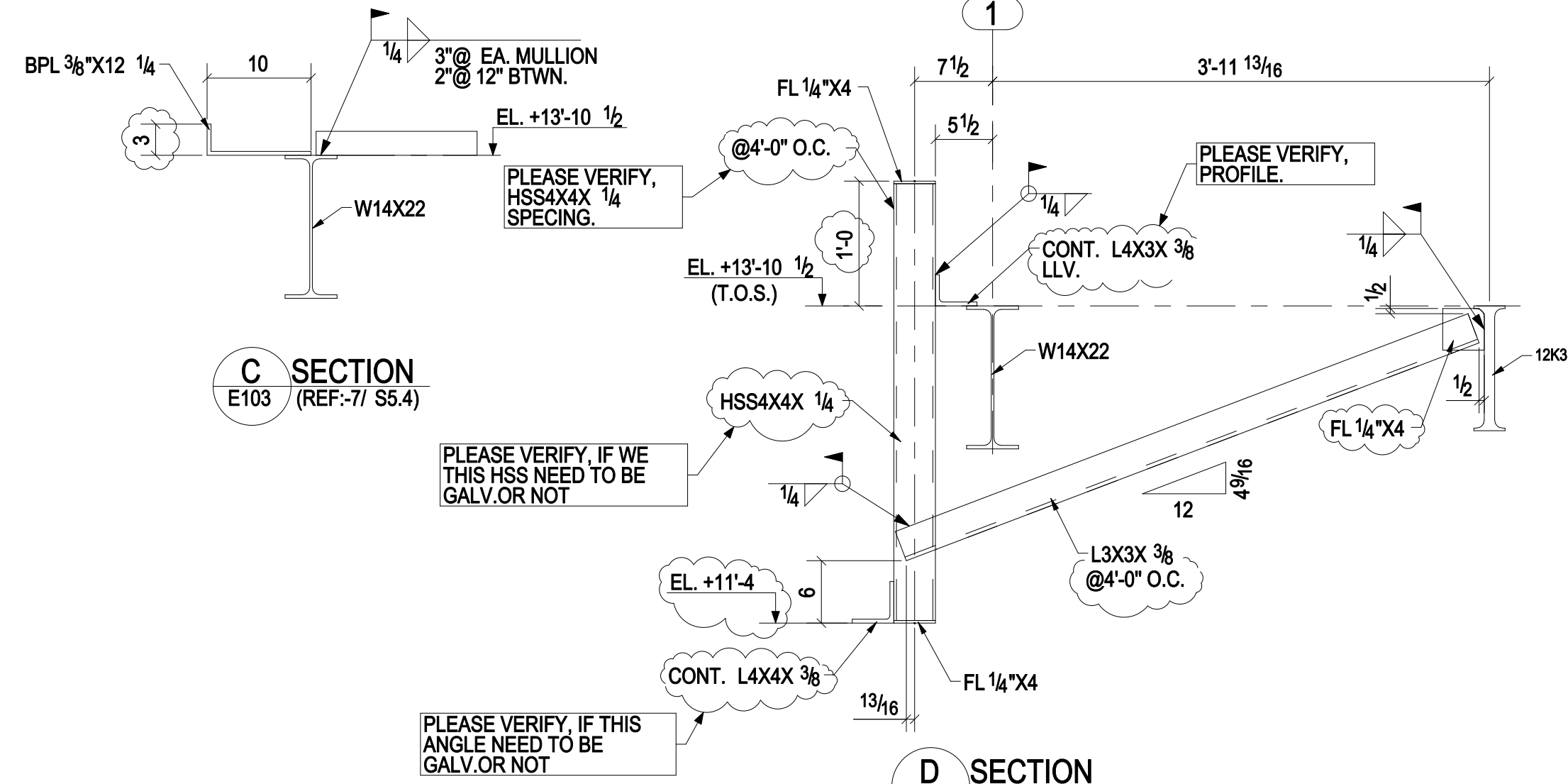
2 DETAIL
E106



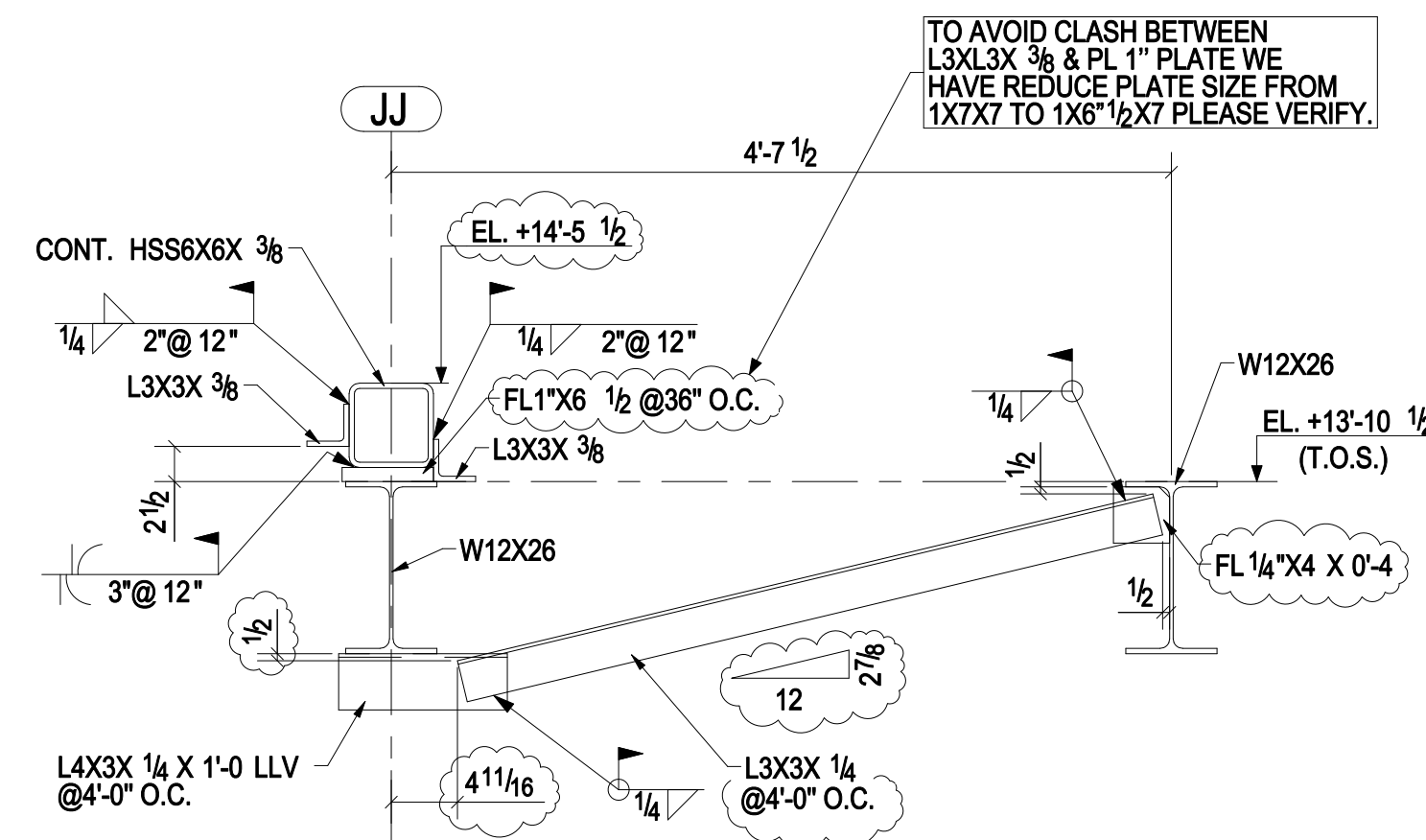
3 DETAIL
E106



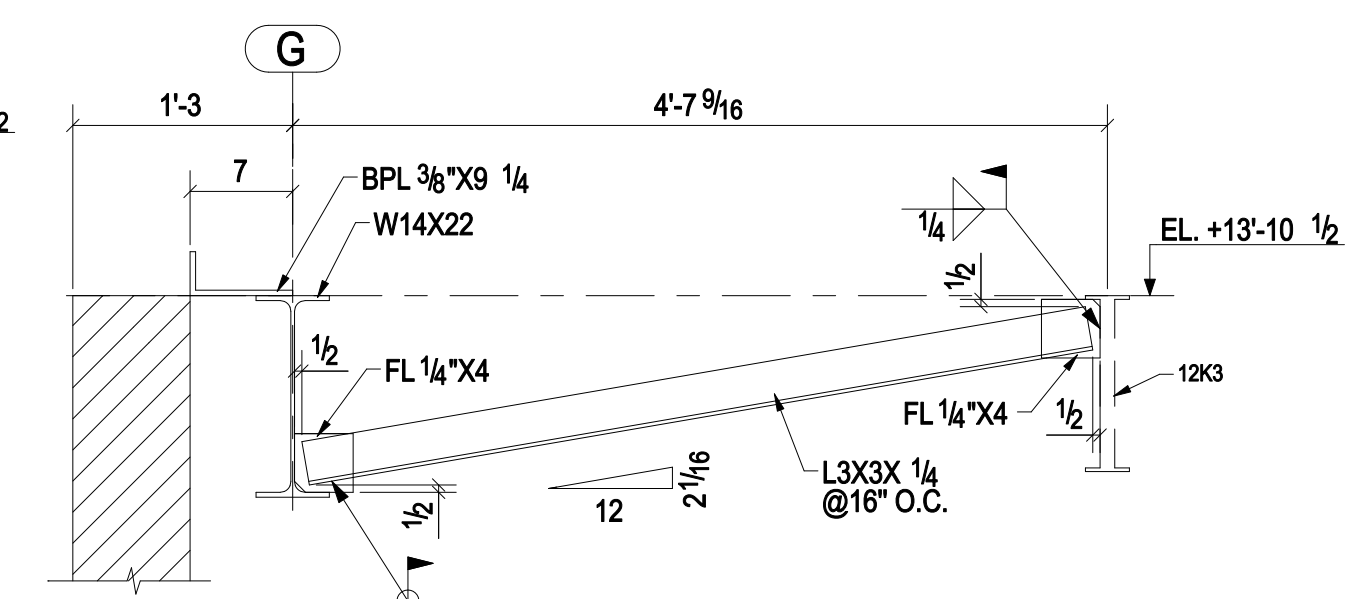
4 DETAIL
E106



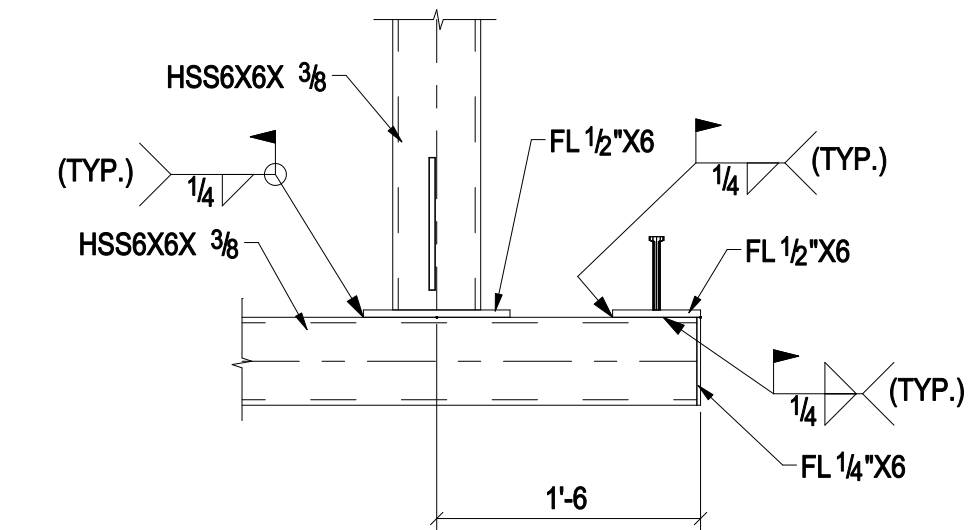
C SECTION
E103 (REF:-7/ S5.4)



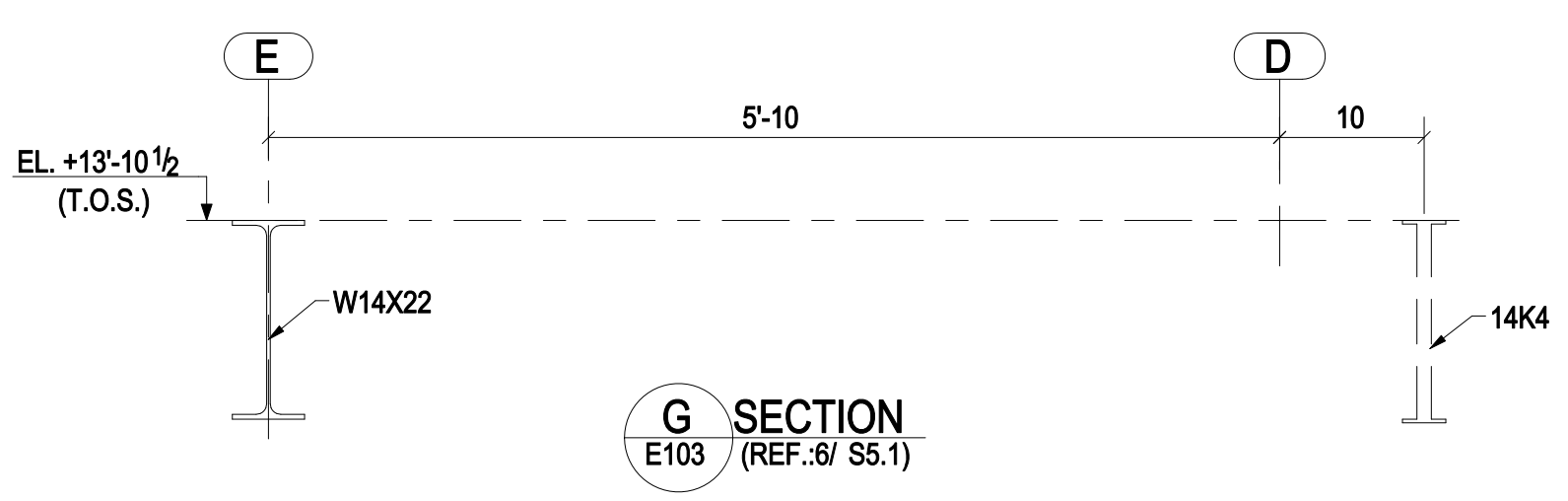
D SECTION
E103 (REF:-6/ S5.4)



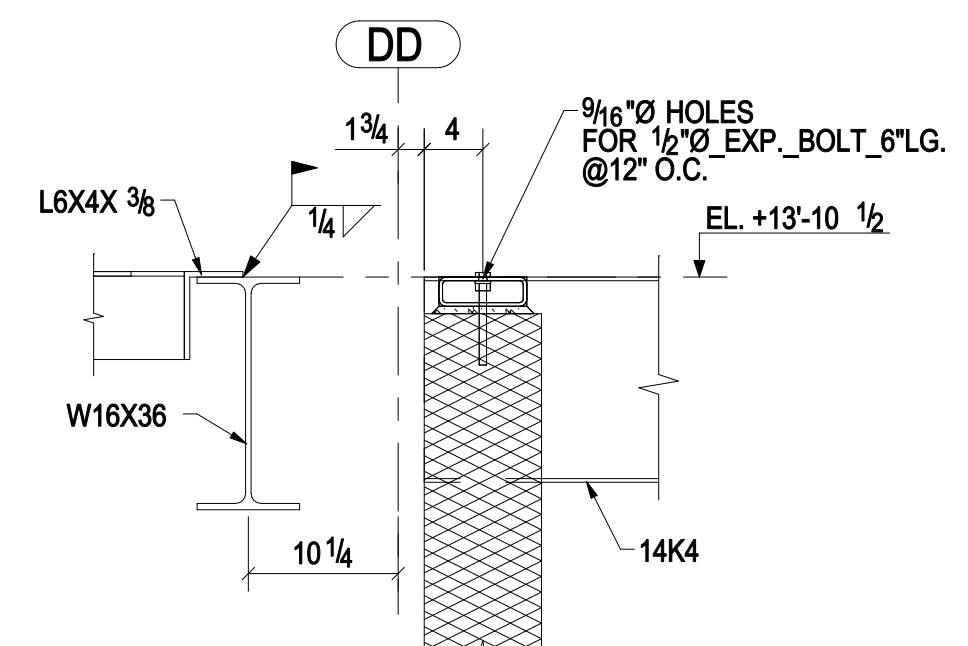
E SECTION
E103 (REF:-9/ S5.4)



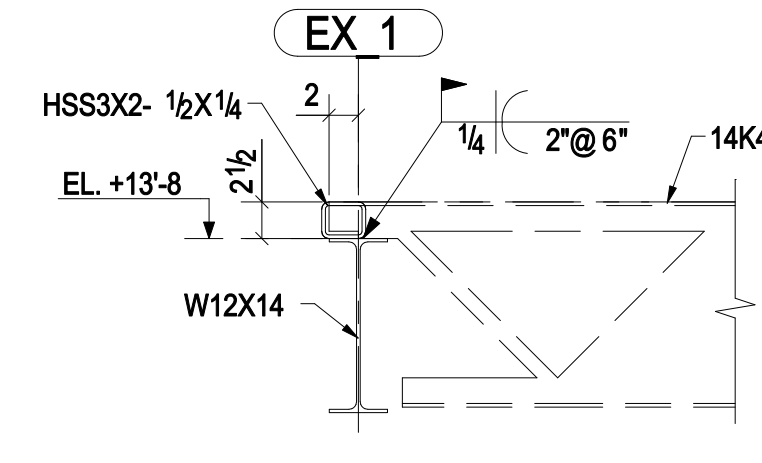
5 DETAIL
E106



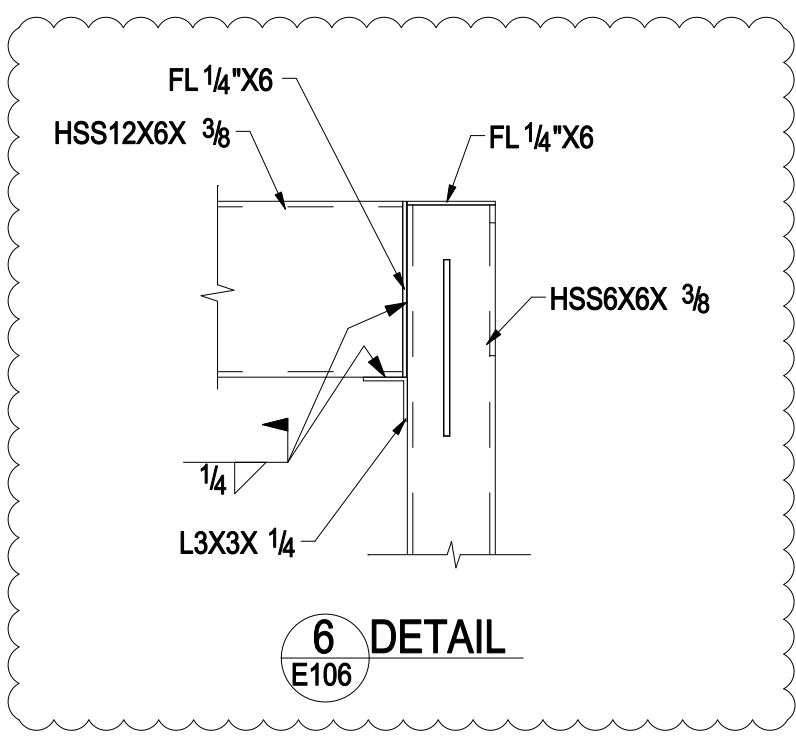
F SECTION
E103 (REF:-5/ S5.4)



G SECTION
E103 (REF:-3/ S5.4)

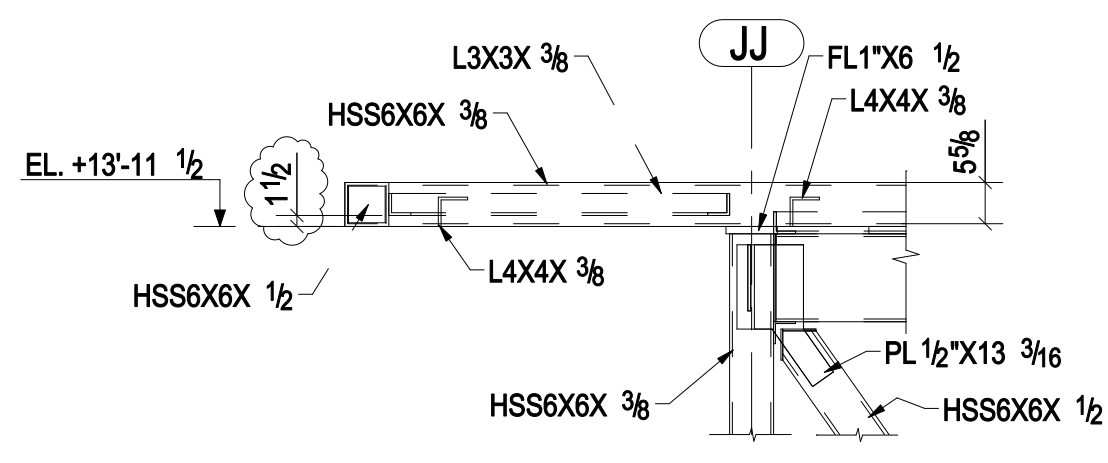


H SECTION
E103 (REF:-2/ S5.4)



6 DETAIL
E106

PLEASE VERIFY IF WE NEED TO PROVIDE HSS2" 1/2 X 2" 1/2 X 3/16 BETWEEN JOIST AS PER SECTION A/S3.4.



I SECTION
E103 (REF:-6/ S5.1)

NOTES:-
1. APPROVER PLEASE VERIFY/ PROVIDE ALL CLOUDED PORTIONS.

05/26/14		FOR APPROVAL		PRINT RECORD		SHOP DRAWING DISCLAIMER	
DATE	APP.	SHOP	FIELD	DIST.	COORD.	F.C.	OFFICE
ALL INFORMATION PROVIDED ON THESE DRAWINGS ARE PREPARED IN ACCORDANCE TO THE CONTRACT DOCUMENTS AND THE SPECIFICATIONS. ALL CLOUDED AREAS SHOW WHERE THERE IS A LACK OF INFORMATION PROVIDED BY THE CONTRACT DOCUMENTS OR SPECIFICATIONS, BUT PREPARED WITH ALL THE INFORMATION AVAILABLE TO US. WE MUST HAVE THESE AREAS ANSWERED BY THE GENERAL CONTRACTOR, ARCHITECT, ENGINEER, BEFORE WE CAN START FABRICATING ANY MATERIAL. PLEASE RESPOND WITH THIS INFORMATION BY MARKING UP OUR SHOP DRAWINGS.							
MATERIAL:	HOLE SIZE:	BOLT GRADE:	MINIMUM WELD:	ELECTRODE:			
A36 UNO	13/16" Ø UNO	A325-N UNO	3/16"	E-70XX			
ARCH:				JOB NAME & LOCATION:			
ENGR:							
CONTR:							
REF:	14-111	JOB:					
DRAWN BY: RR	05/26/14	CHECKED BY: RKB	05/26/14	SHEET: E106			
SHEET TITLE: ROOF SECTION & DETAILS - SECTOR A							
MODIFIED DATE: 05/28/14		LAST PLOT DATE: 05/28/14		CAD FILENAME: E106			