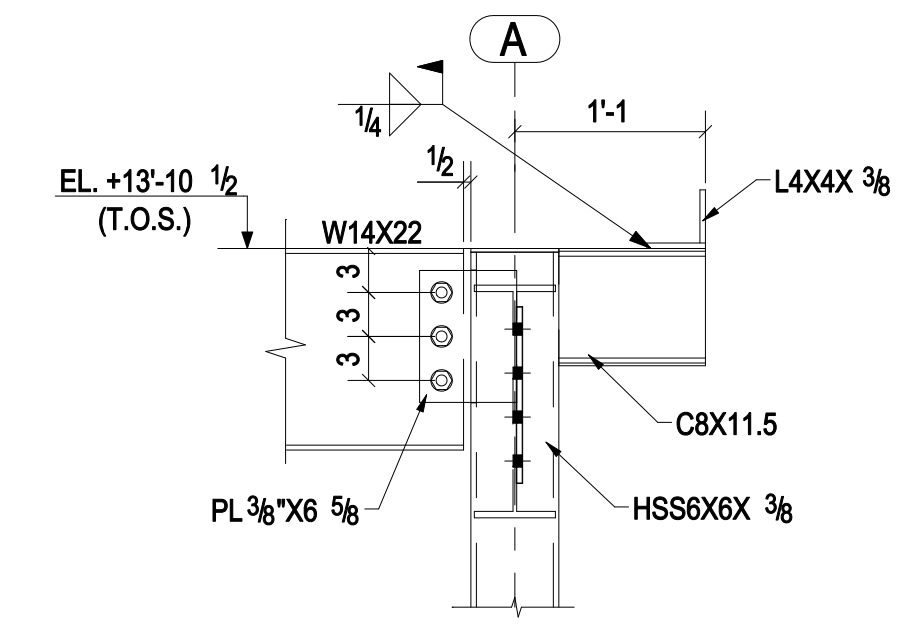
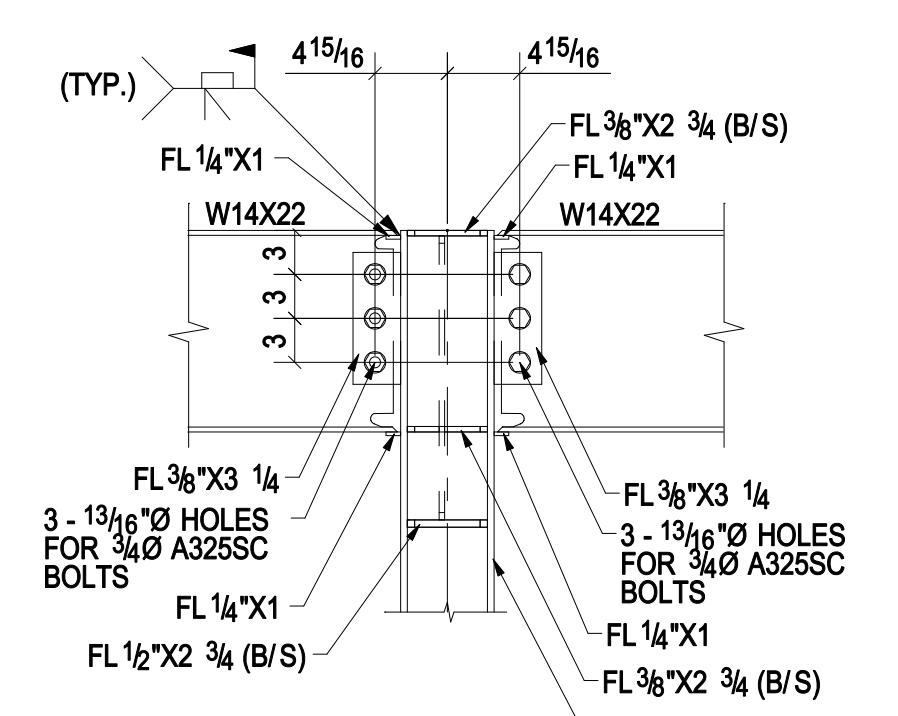


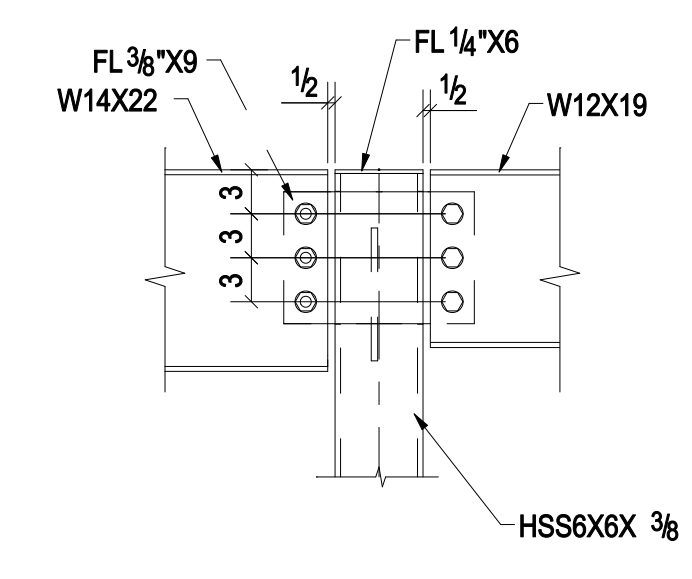
K SECTION
E103 (REF.:/ S5.4)



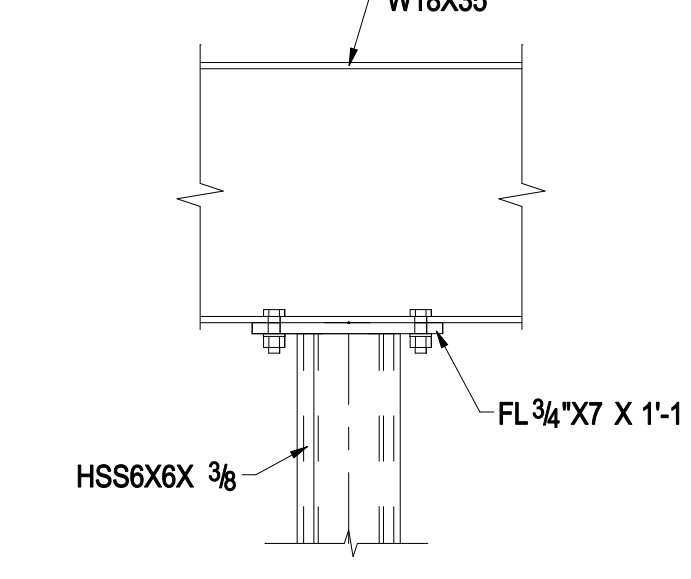
L SECTION
E103 (REF.:/ S5.4)



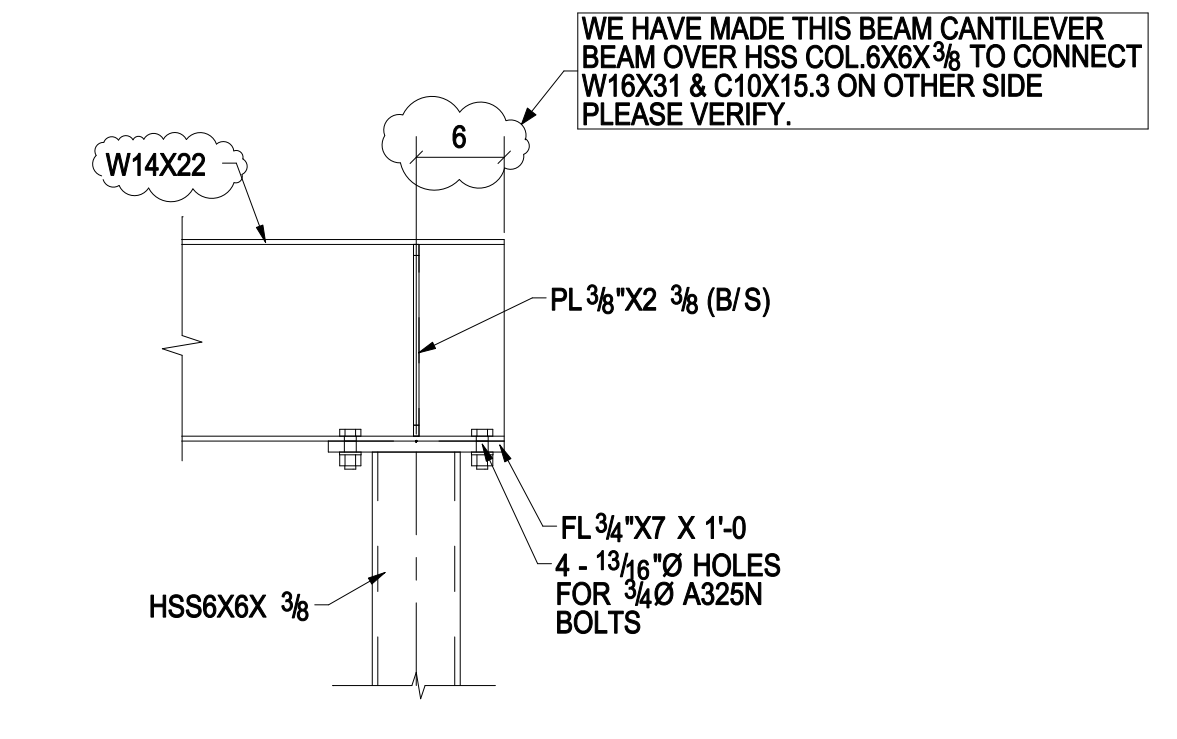
M SECTION
E103 (REF.:/ S3.2)



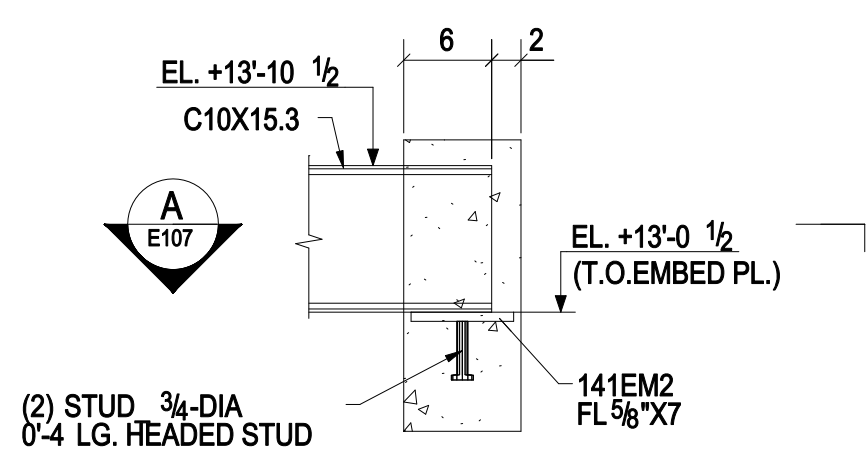
N SECTION
E103 (REF.:/ S3.2)



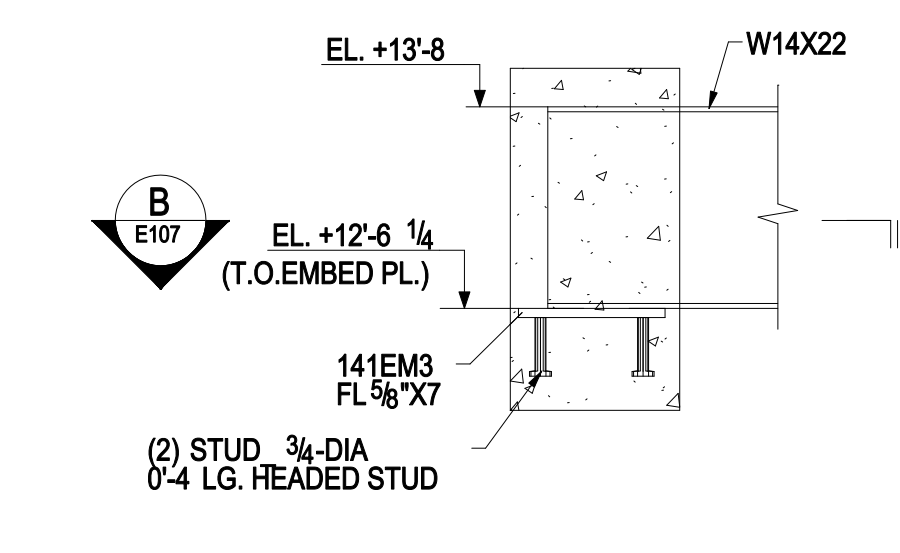
P SECTION
E103 (REF.:/ S5.4)



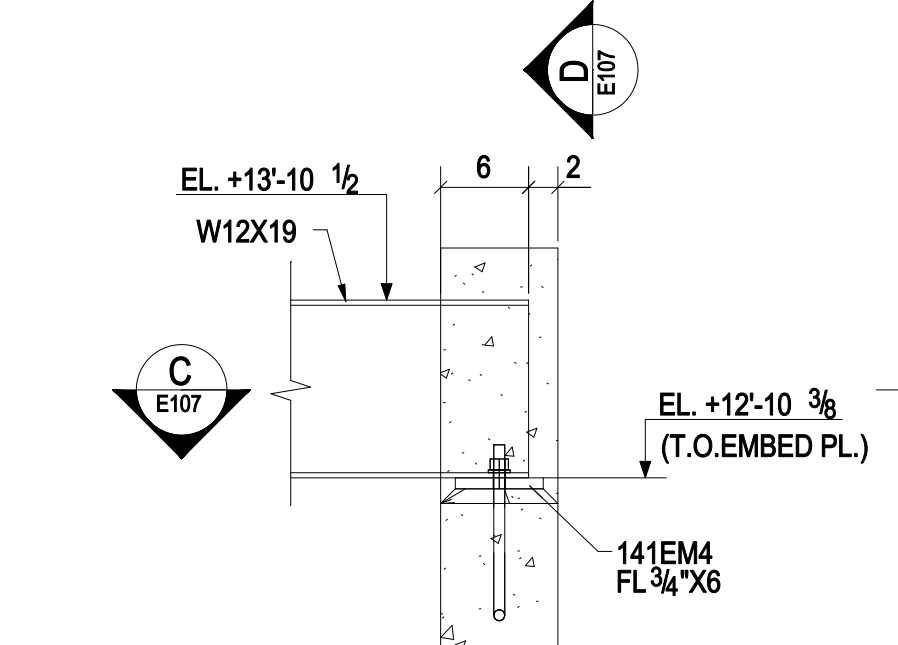
Q SECTION
E103



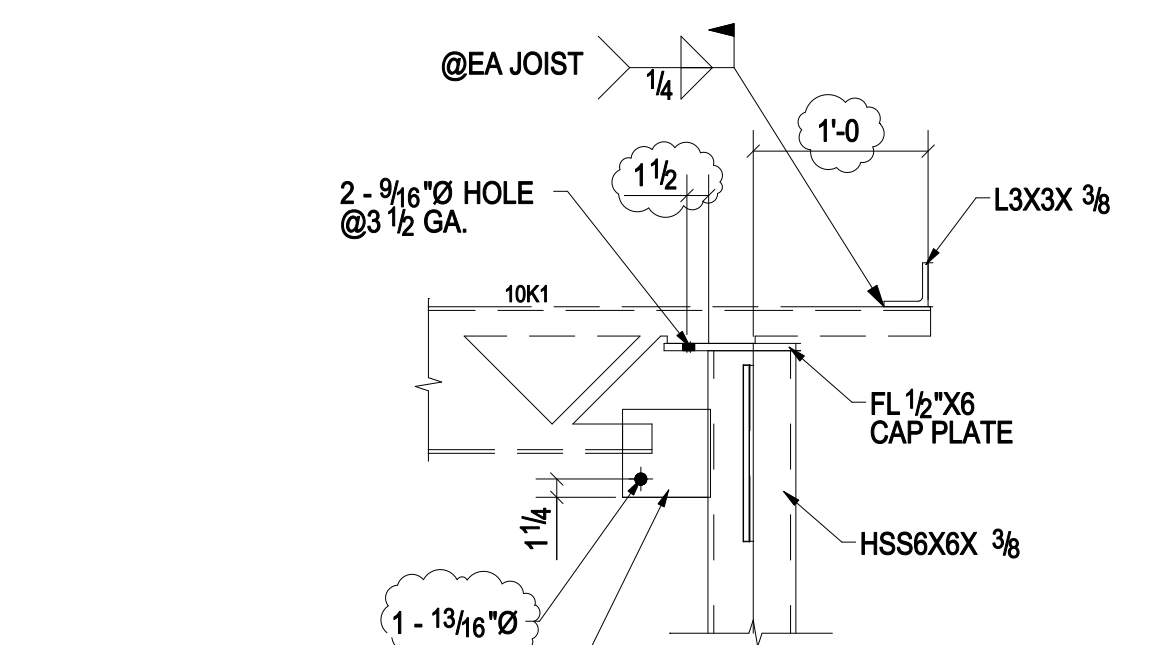
R SECTION
E103



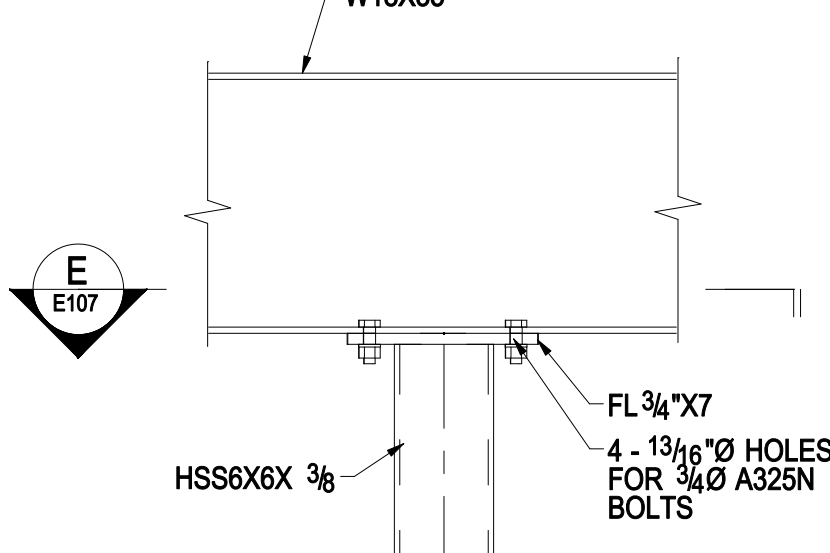
S SECTION
E103



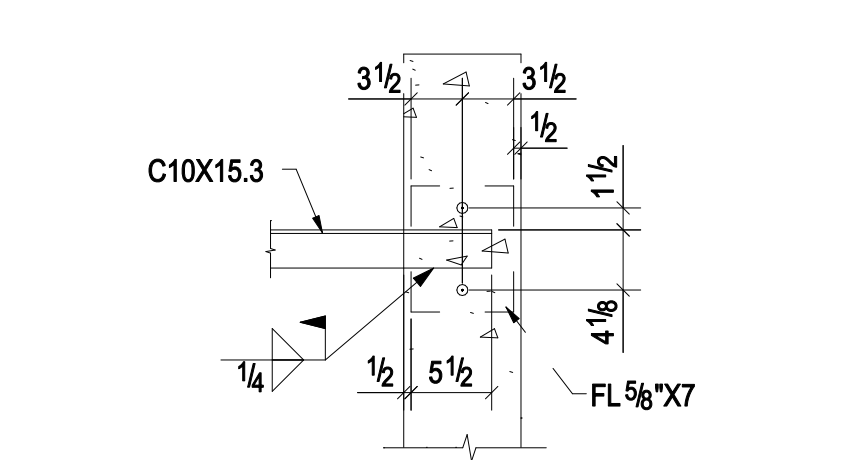
T SECTION
E103



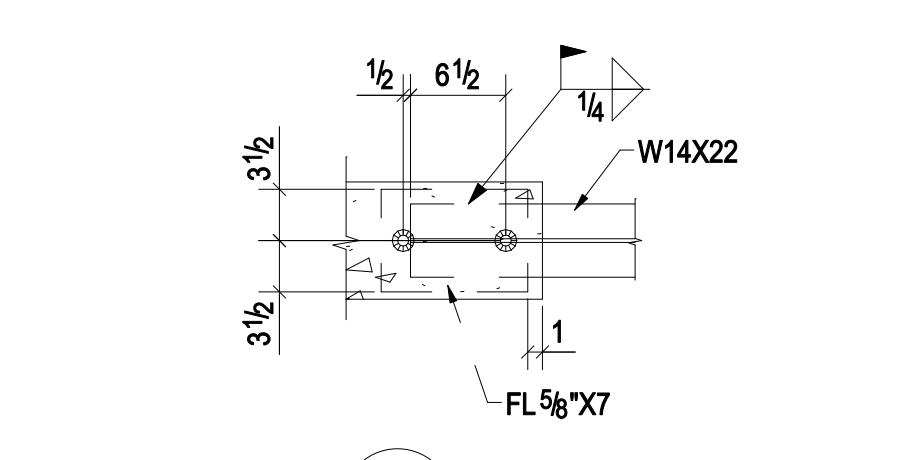
U SECTION
E103



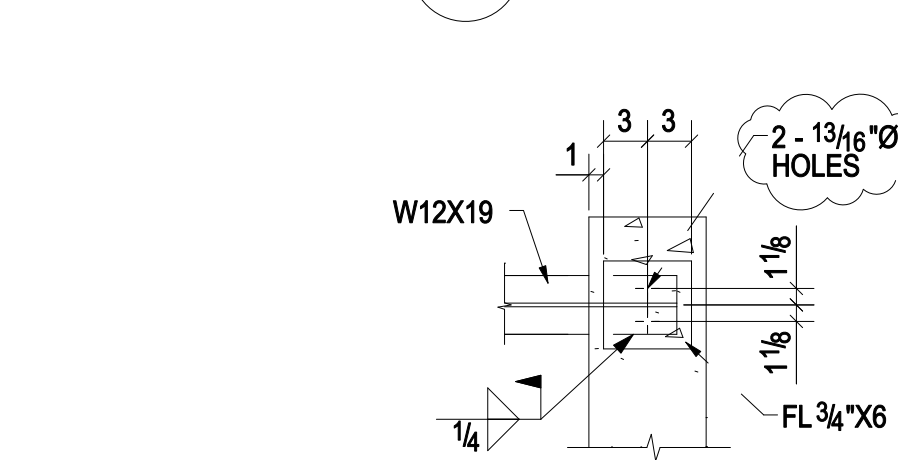
V SECTION
E103



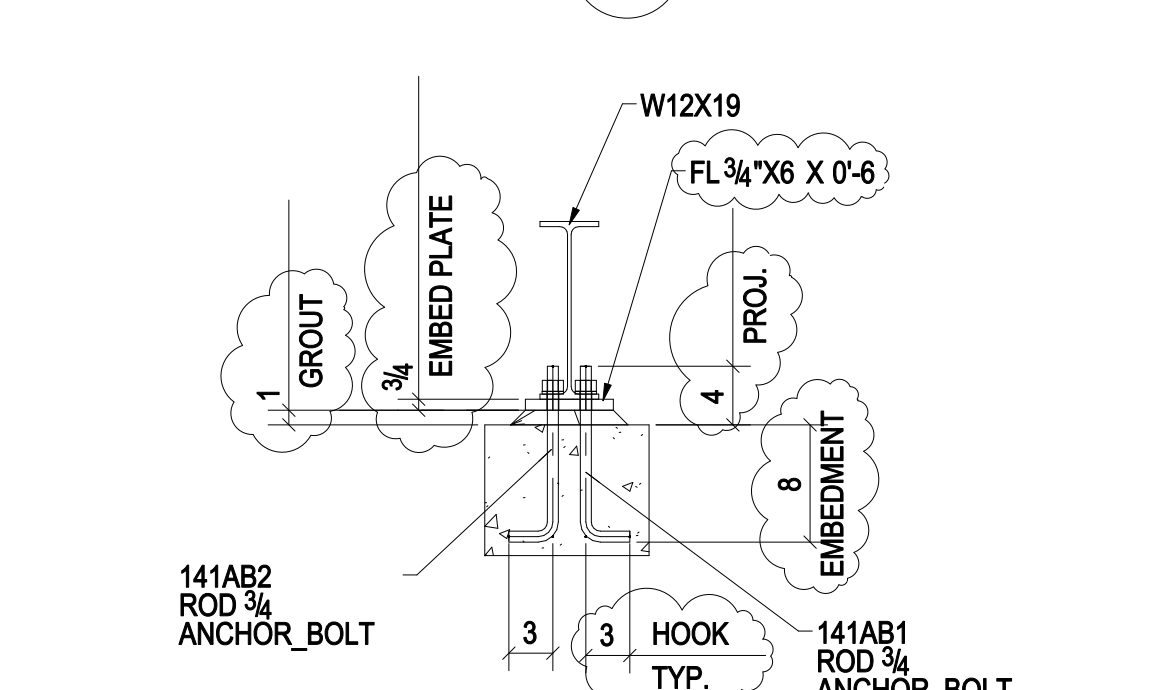
A SECTION
E107



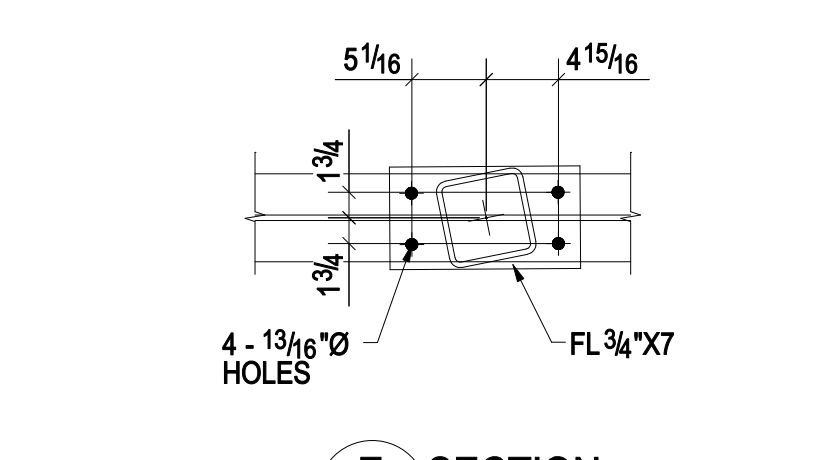
B SECTION
E107



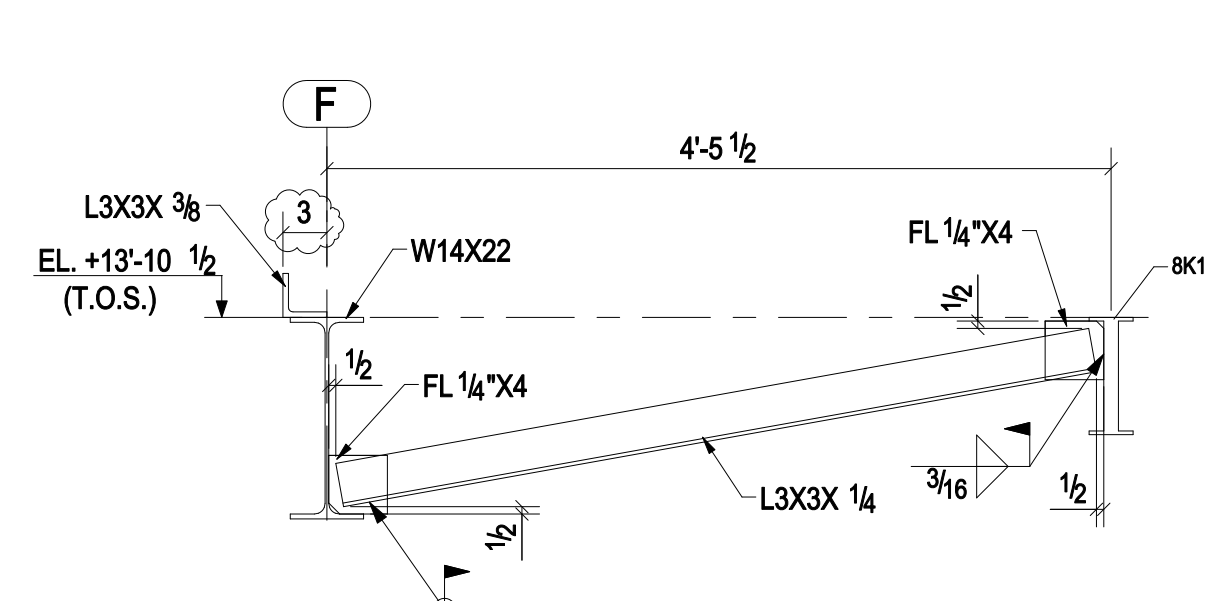
C SECTION
E107



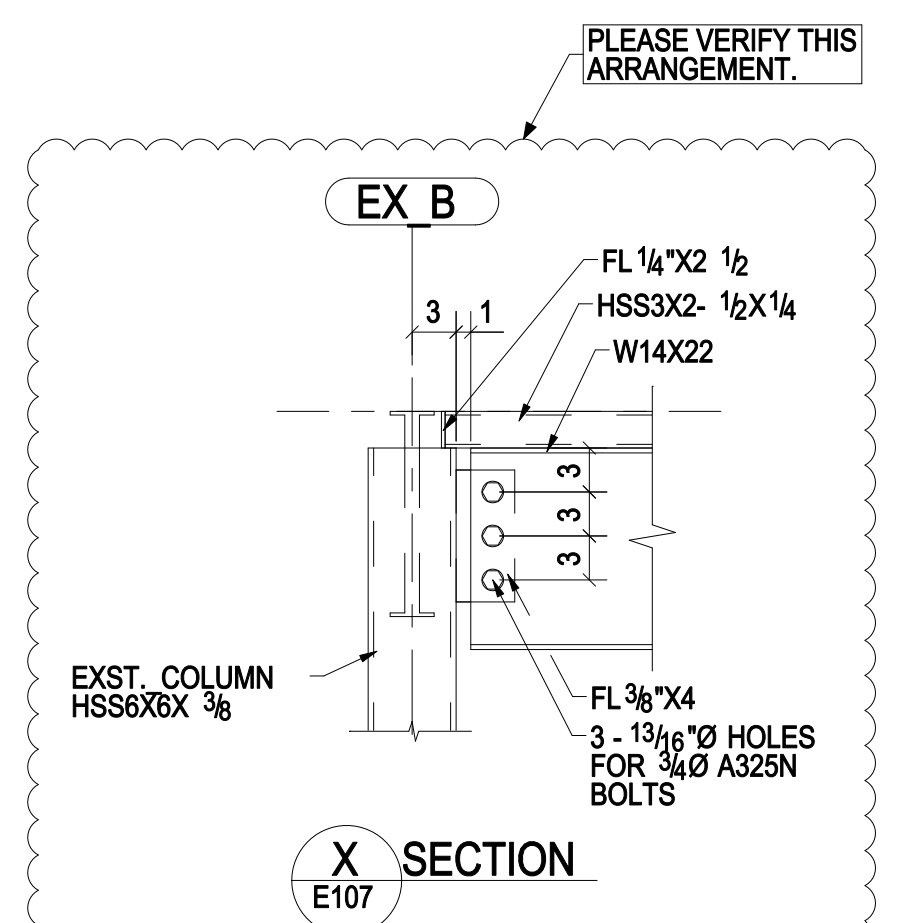
D SECTION
E107



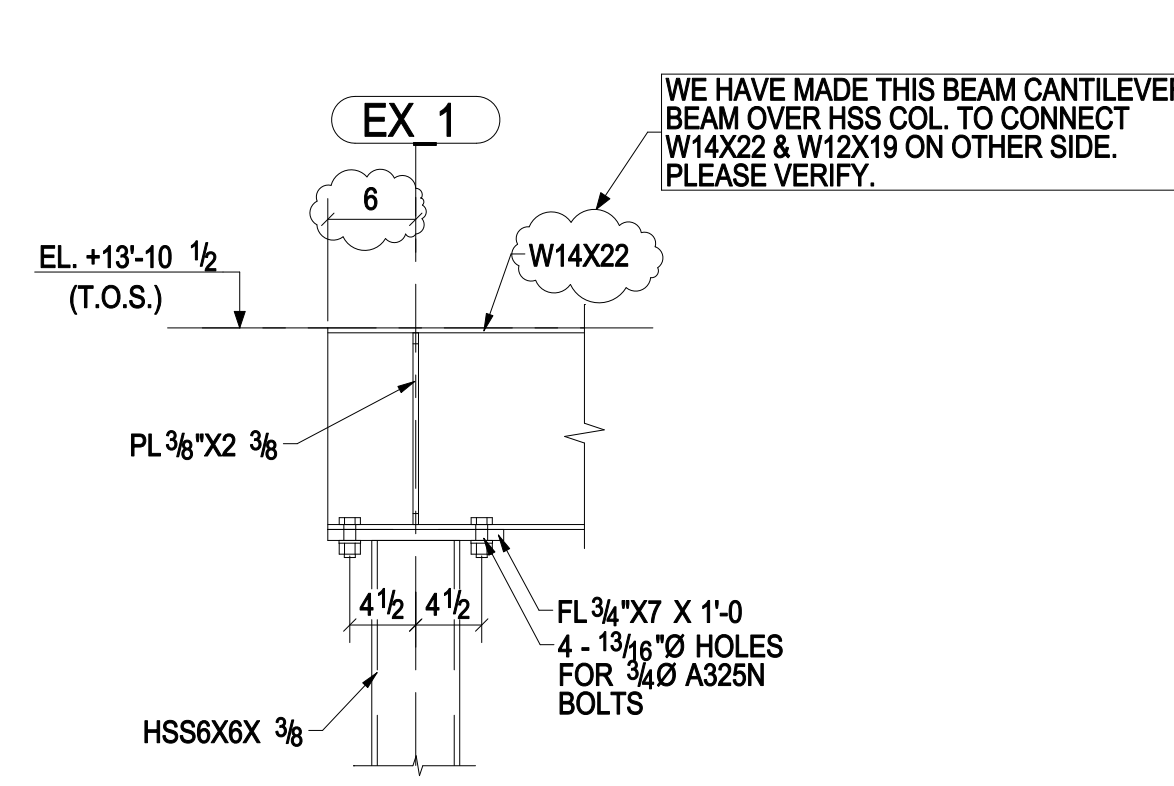
E SECTION
E107



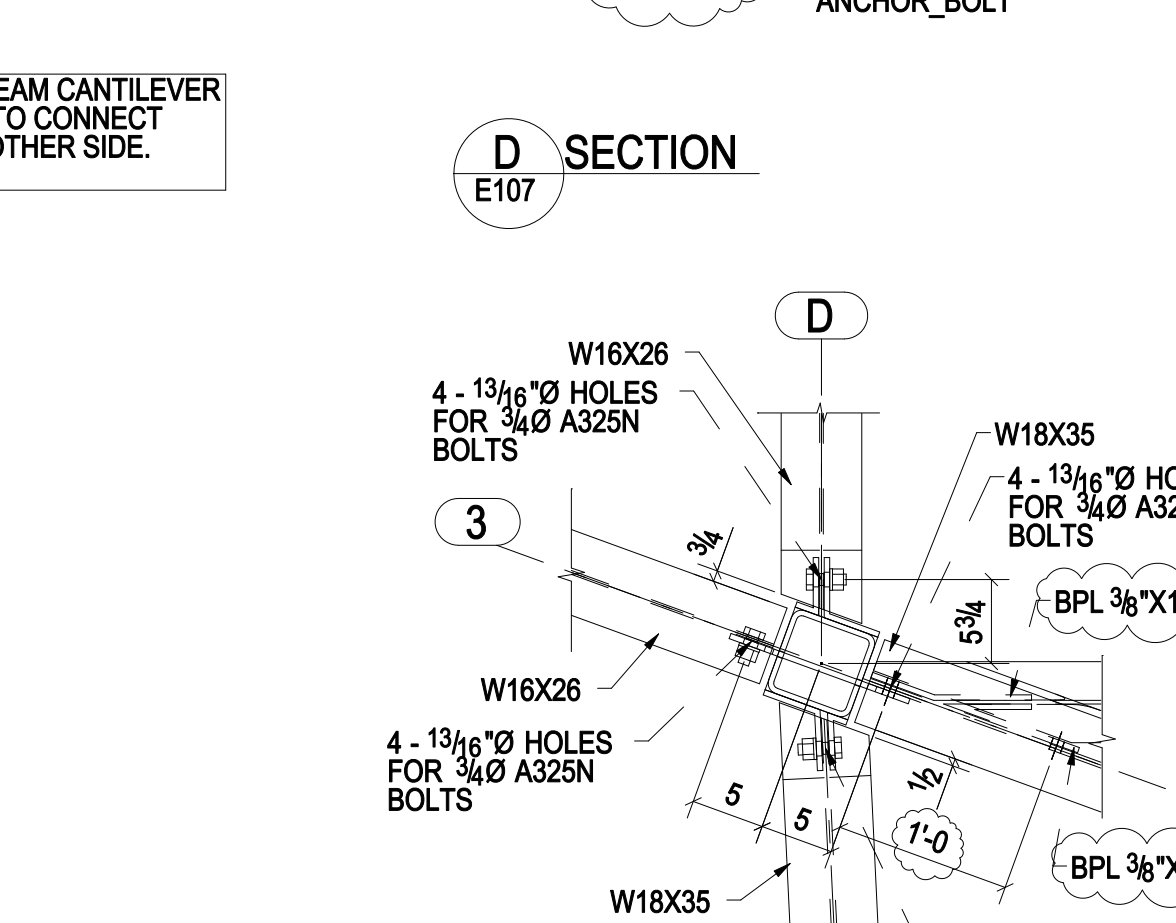
F SECTION
E107



EX B SECTION
E107



EX 1 SECTION
E107



2 DETAIL
E103

NOTES:-
1. APPROVER PLEASE VERIFY/ PROVIDE ALL CLOUDED PORTIONS.

05/26/14		FOR APPROVAL		PRINT RECORD		SHOP DRAWING DISCLAIMER	
DATE	APP.	SHOP	FIELD	DIST.	COORD.	F.C.	OFFICE
MATERIAL: A36 UNO				HOLE SIZE: 13/16" UNO		BOLT GRADE: A325-N UNO	
				MINIMUM WELD: 3/16"		ELECTRODE: E-70XX	
ARCH:				JOB NAME & LOCATION:			
ENGR:							
CONTR:							
REF:				JOB: 14-111			
DRAWN BY: RR		05/26/14		CHECKED BY: RKB		05/26/14	
SHEET TITLE: ROOF SECTION & DETAILS - SECTOR A				SHEET: E107			
MODIFIED DATE: 05/28/14		LAST PLOT DATE: 05/28/14		CAD FILENAME: E107			