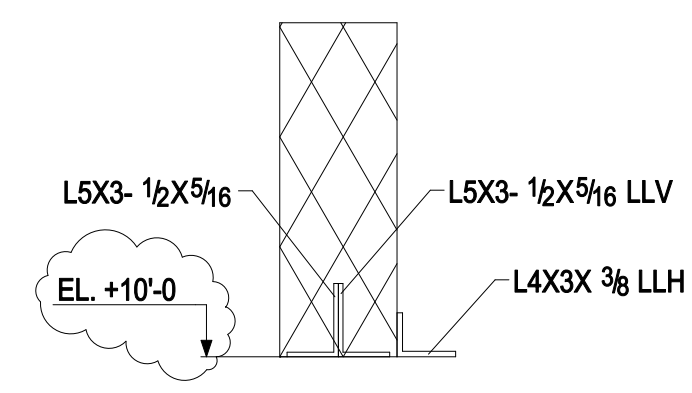
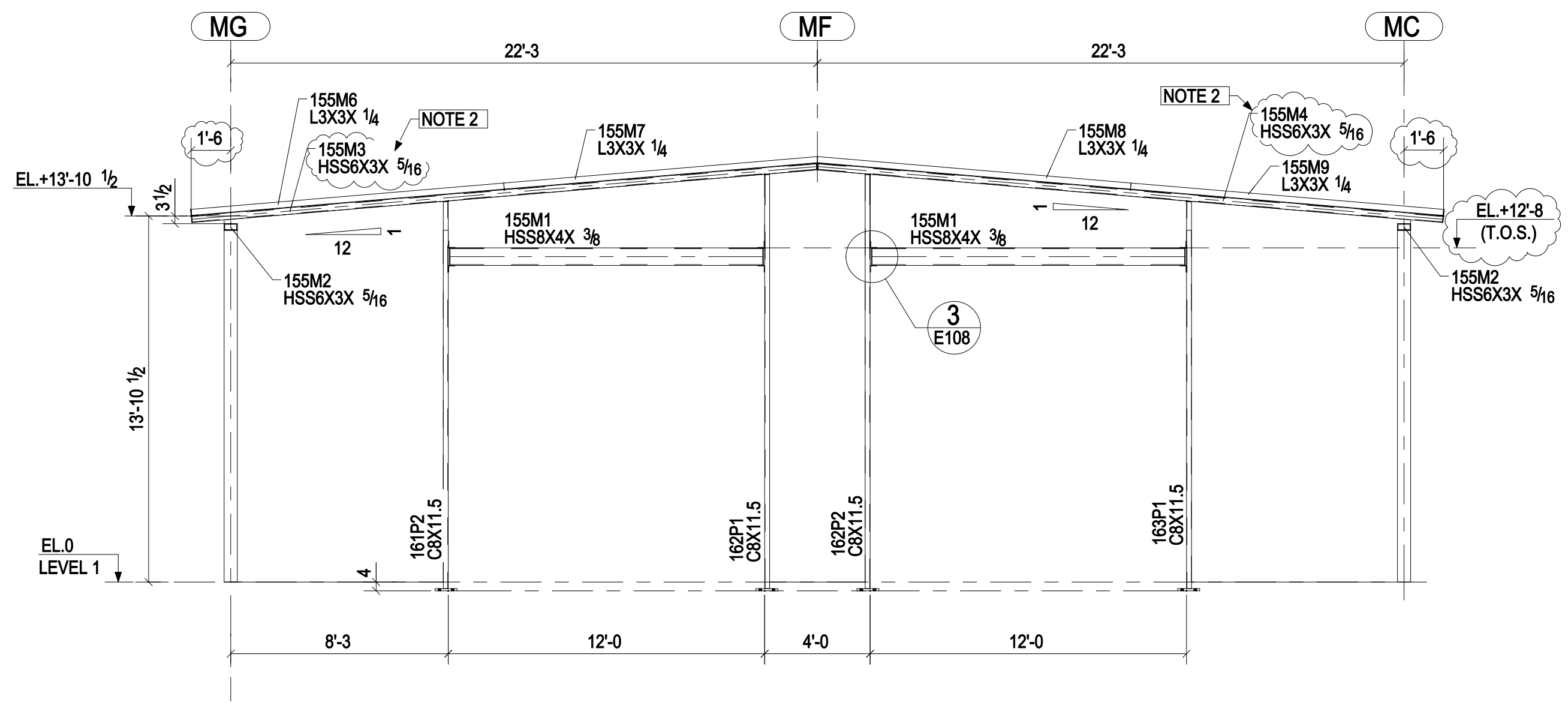


A SECTION
E101 (REF-4/ S5.2)

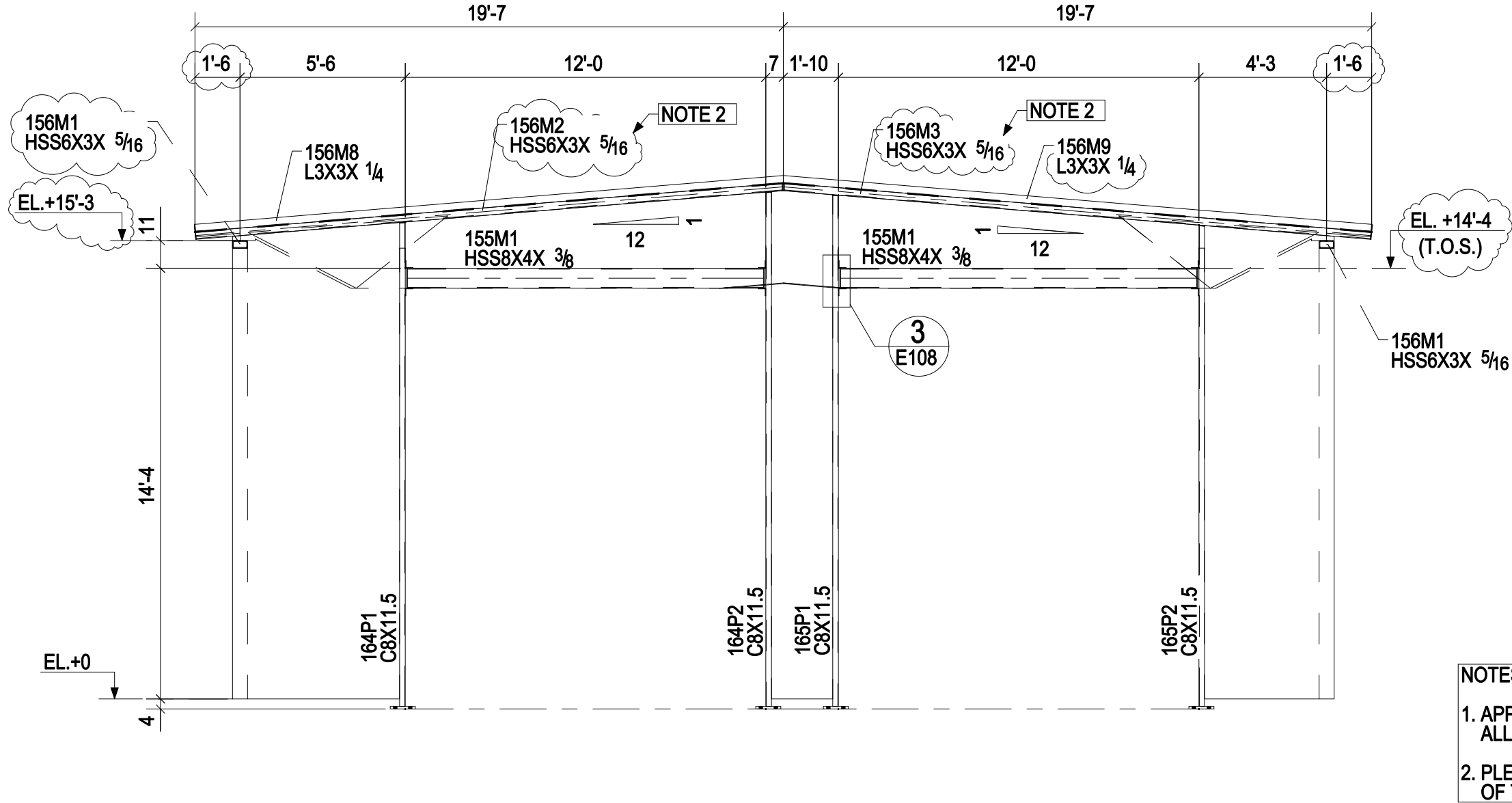
B SECTION
E101 (REF-2/ S5.5)



E SECTION
E108 (REF-4/ S5.5)

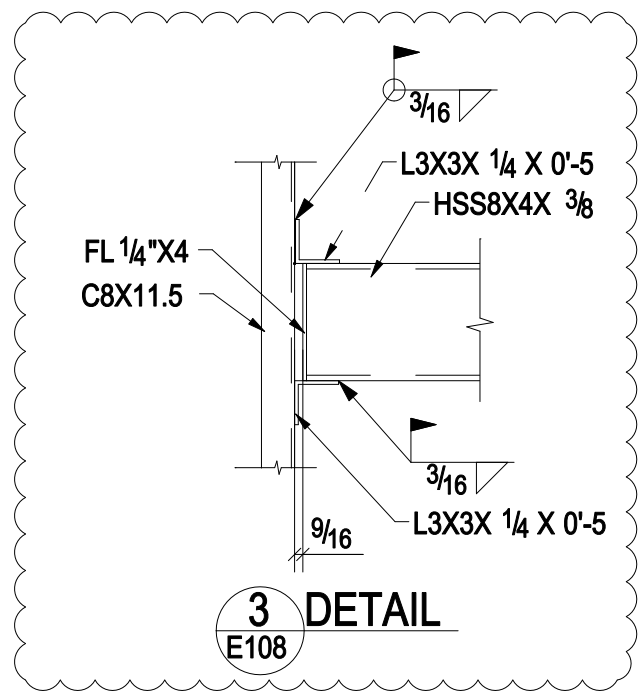


C SECTION
E104 (REF-2/ S5.3)



D SECTION
E104 (REF-3/ S5.3)

- NOTES:-
1. APPROVER PLEASE VERIFY/PROVIDE ALL CLOUDED PORTION.
 2. PLEASE VERIFY THE REQUIREMENT OF THESE HSS AT THIS LOCATION.



3 DETAIL
E108

<p>05/26/14 FOR APPROVAL</p>						
<p>PRINT RECORD</p>						
DATE	APP.	SHOP	FIELD	DIST.	COORD.	F.C. OFFICE
<p>SHOP DRAWING DISCLAIMER</p> <p>ALL INFORMATION PROVIDED ON THESE DRAWINGS ARE PREPARED IN ACCORDANCE TO THE CONTRACT DOCUMENTS AND THE SPECIFICATIONS. ALL CLOUDED AREAS SHOW WHERE THERE IS A LACK OF INFORMATION PROVIDED BY THE CONTRACT DOCUMENTS OR SPECIFICATIONS, BUT PREPARED WITH ALL THE INFORMATION AVAILABLE TO US. WE MUST HAVE THESE AREAS ANSWERED BY THE GENERAL CONTRACTOR, ARCHITECT, & ENGINEER, BEFORE WE CAN START FABRICATING ANY MATERIAL. PLEASE RESPOND WITH THIS INFORMATION BY MARKING UP OUR SHOP DRAWINGS.</p>						
MATERIAL:	HOLE SIZE:	BOLT GRADE:	MINIMUM WELD:	ELECTRODE:		
A36 UNO	13/16" Ø UNO	A325-N UNO	3/16"	E-70XX		
ARCH.	JOB NAME & LOCATION:					
ENGR.						
CONTR.						
REF:						JOB: 14-111
DRAWN BY: PC	05/26/14	CHECKED BY: SK	05/26/14			SHEET: E108
<p>SECTION & DETAIL</p>						
<p>MODIFIED DATE: 05/28/14 LAST PLOT DATE: 05/28/14 CAD FILENAME: E108</p>						