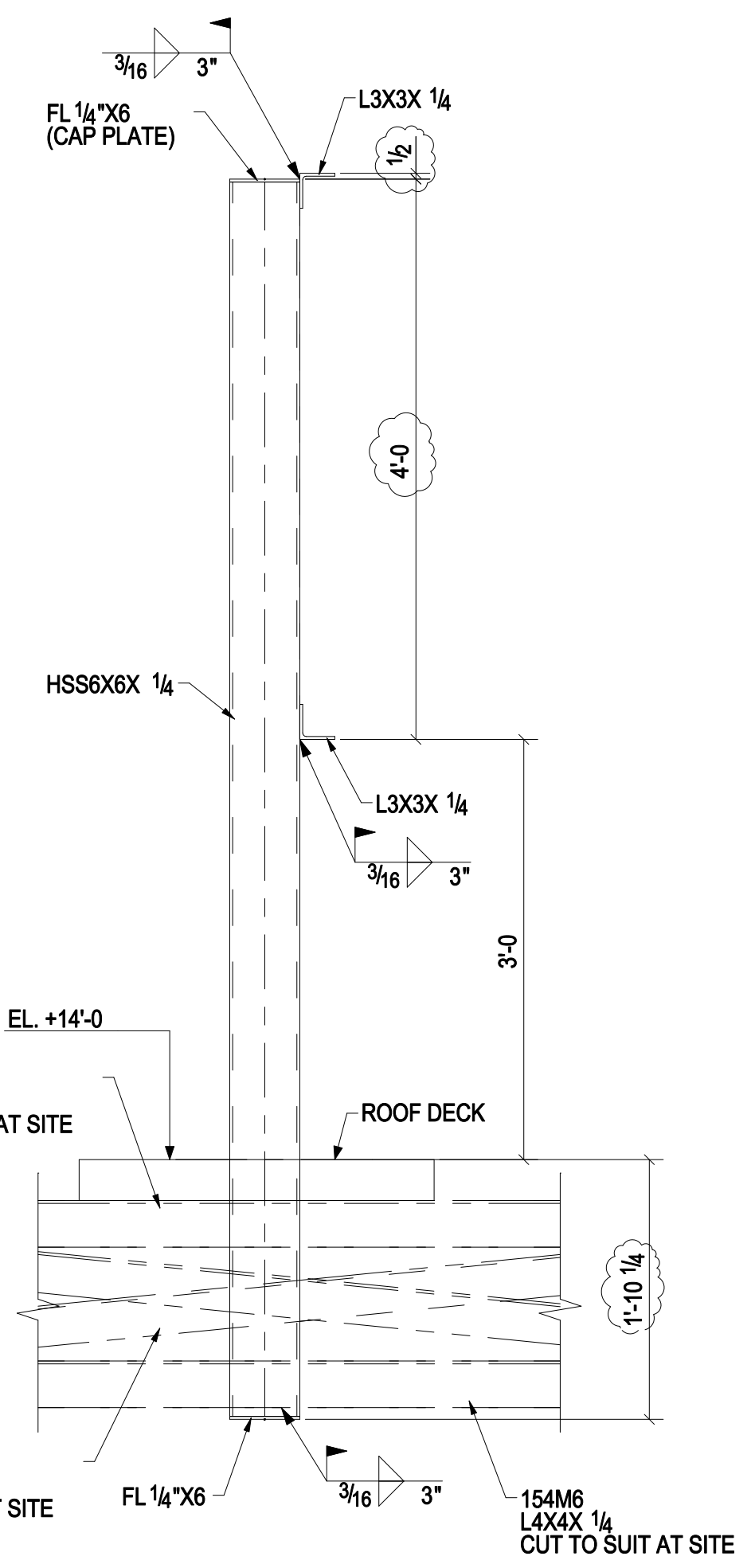
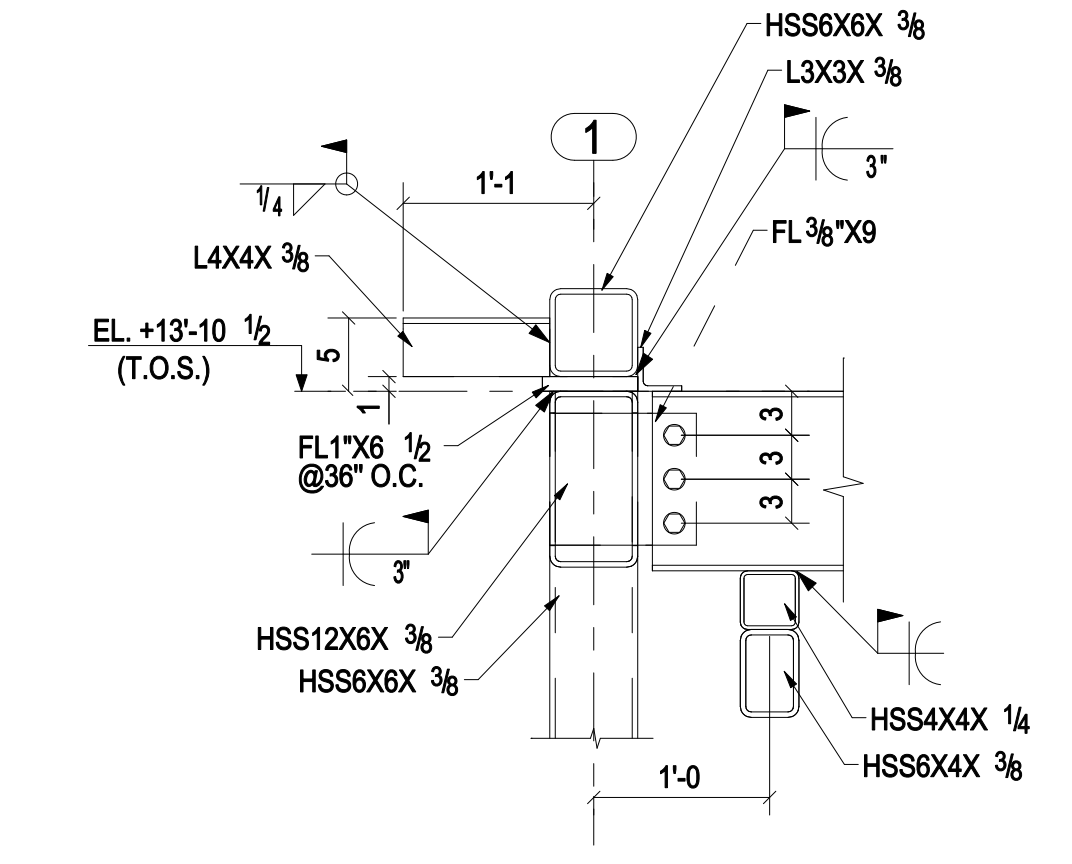


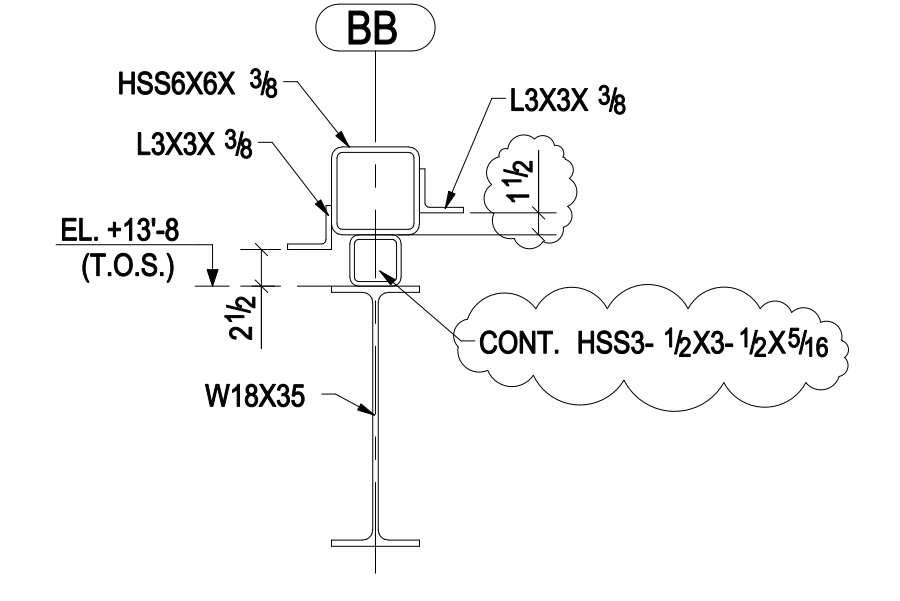
1 DETAIL  
E103



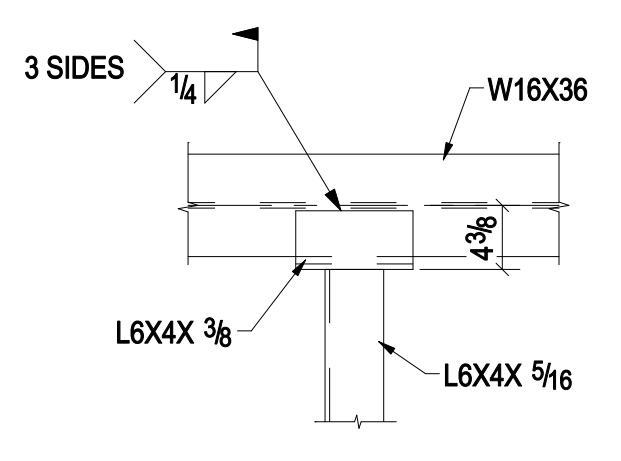
C SECTION  
E109 (REF.-D/ S3.3)



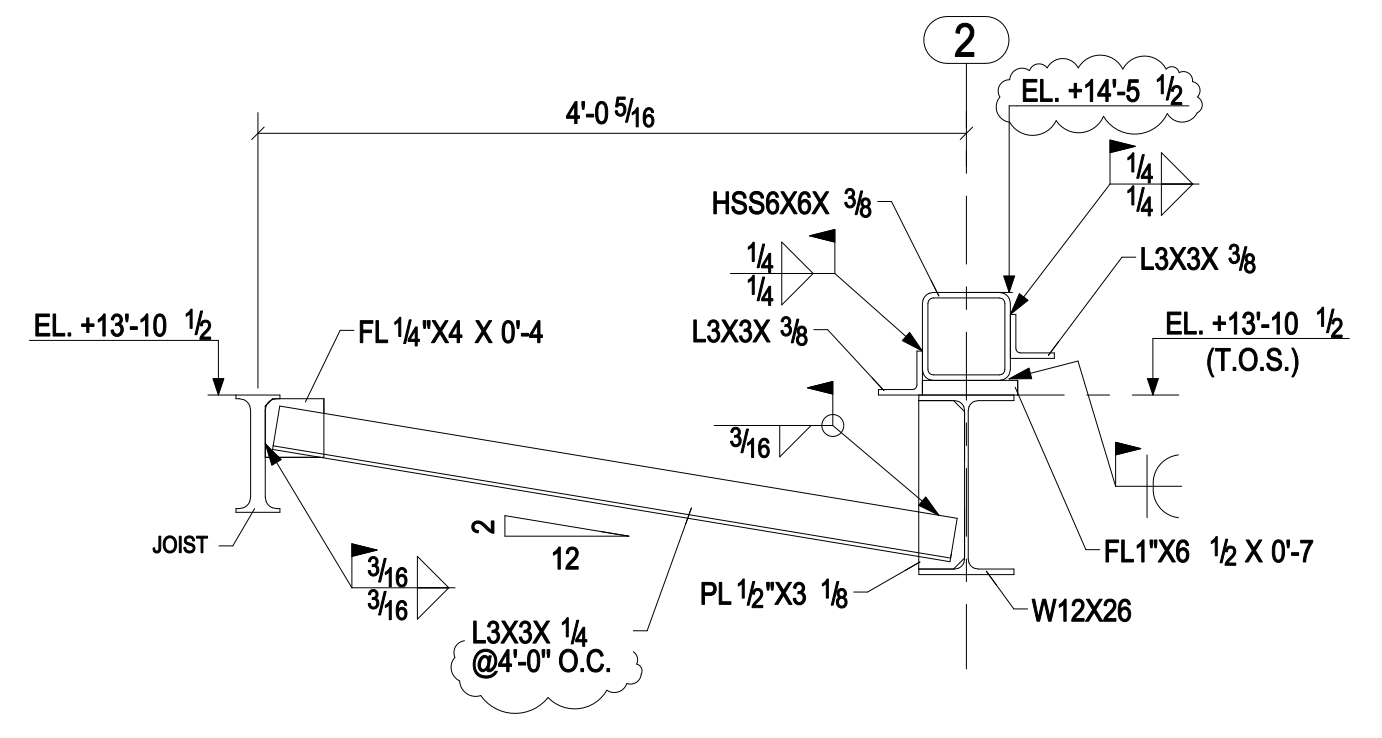
C SECTION  
E105 (REF.-5/ S5.2)



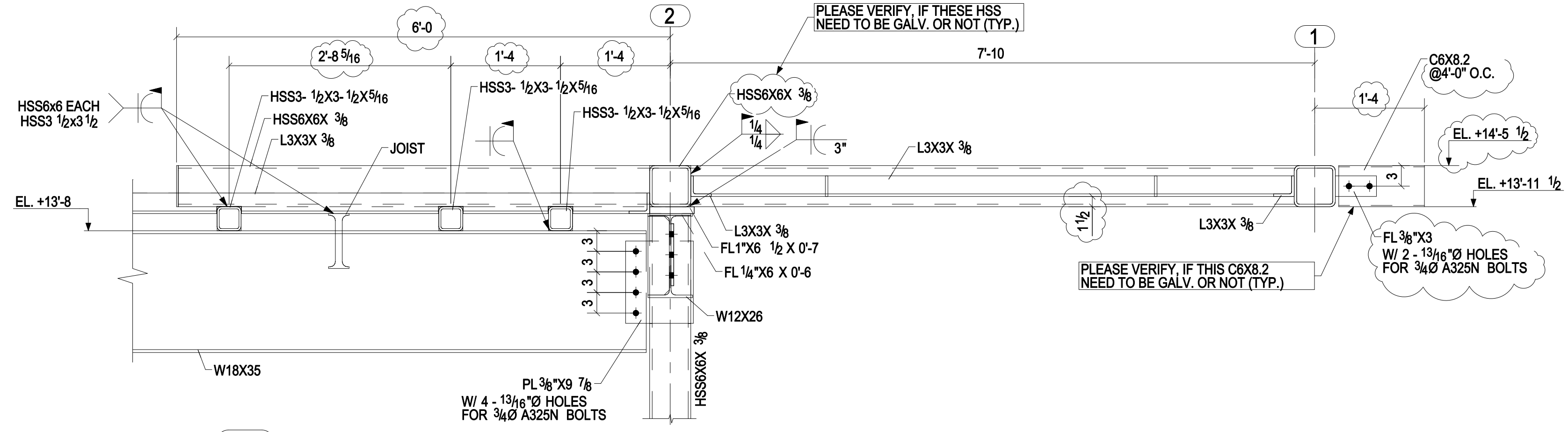
D SECTION  
E105



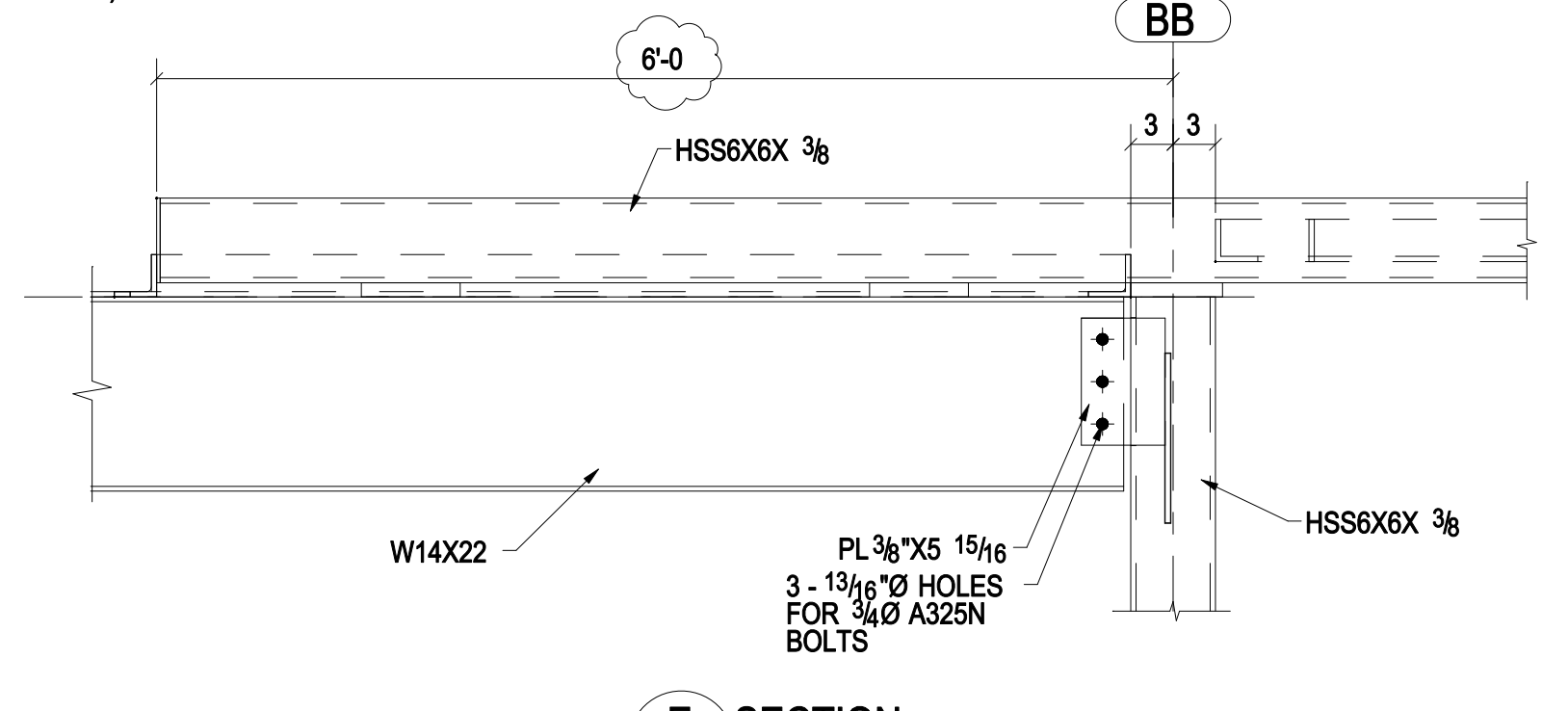
6 DETAIL  
E109



A SECTION  
E105 (REF.-8/ S5.4)



B SECTION  
E105 (REF.-1/ S5.1)



E SECTION  
E105

NOTES:-  
1. APPROVER PLEASE VERIFY/PROVIDE CLOUDED PORTION.

05/26/14		FOR APPROVAL		PRINT RECORD		SHOP DRAWING DISCLAIMER	
DATE	APP.	SHOP	FIELD	DIST.	COORD.	F.C.	OFFICE
ALL INFORMATION PROVIDED ON THESE DRAWINGS ARE PREPARED IN ACCORDANCE TO THE CONTRACT DOCUMENTS AND THE SPECIFICATIONS. ALL CLOUDED AREAS SHOW ARE DUE TO LACK OF INFORMATION PROVIDED BY THE CONTRACT DOCUMENTS OR SPECIFICATIONS, BUT PREPARED WITH ALL THE INFORMATION AVAILABLE TO US. WE MUST HAVE THESE AREAS ANSWERED BY THE GENERAL CONTRACTOR, ARCHITECT, ENGINEER, BEFORE WE CAN START FABRICATING ANY MATERIAL. PLEASE RESPOND WITH THIS INFORMATION BY MARKING UP OUR SHOP DRAWINGS.							
MATERIAL:	HOLE SIZE:	BOLT GRADE:	MINIMUM WELD:	ELECTRODE:			
A36 UNO	13/16" Ø UNO	A325-N UNO	3/16"	E-70XX			
ARCH:				JOB NAME & LOCATION:			
ENGR:							
CONTR.							
REF:				JOB: 14-111			
DRAWN BY: PC		05/26/14		CHECKED BY: SK		05/26/14	
SHEET TITLE: SECTION & DETAIL				SHEET: E109			
MODIFIED DATE: 05/28/14		LAST PLOT DATE: 05/28/14		CAD FILENAME: E109			